



NURSING BED

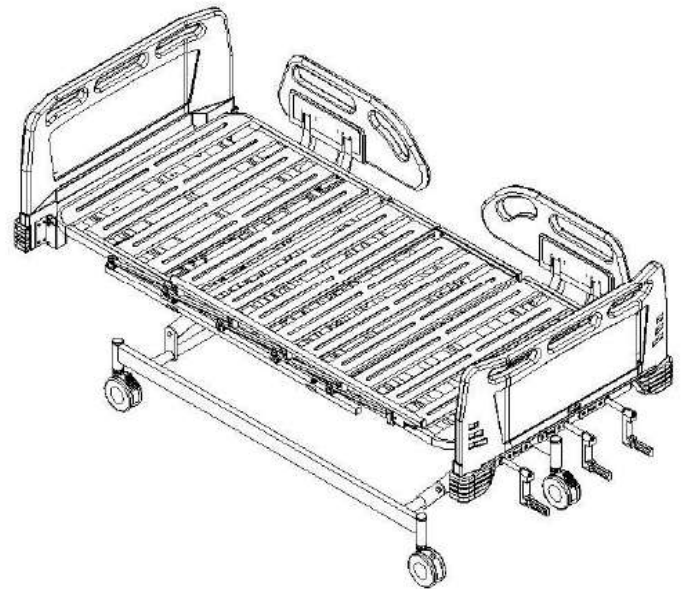
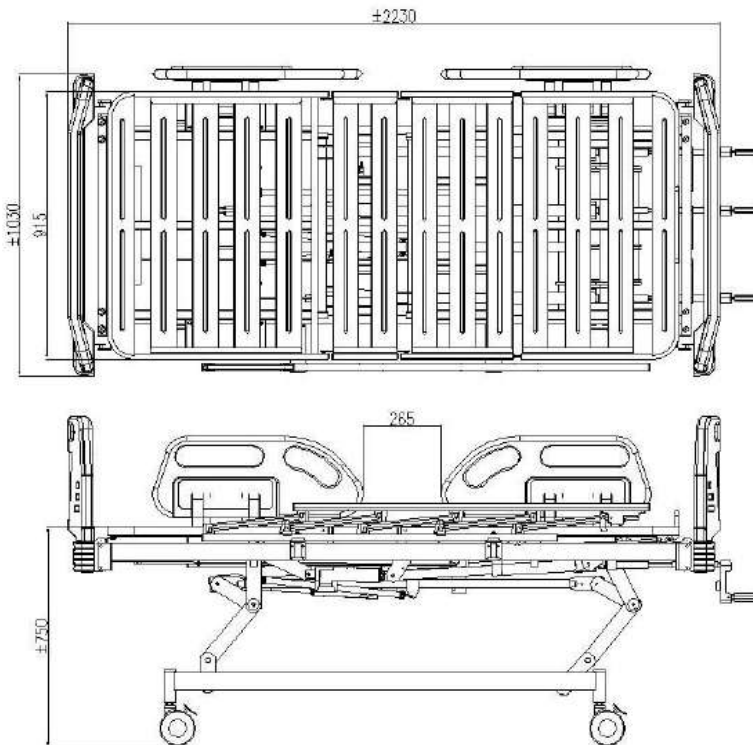
Healthy Therapy Product

Product Dimension

Dimension : L : Total 2230 mm (include H/F Board)
 1956 mm (Bottom assy Lenght)
 W : Total 1030 mm
 915 mm (Bottom assy Widht)
 D : 760 ~ 1005 mm (from floor to Head Board)
 : 327 ~ 667 mm (from floor to Bottom Assy)

Product Weight

Weight : ± 90KG
 Load Capacity : ± 400KG (Static) & ±170KG (Dynamic)
 Packing Dimension : 2050 mm (L) x 1070 mm (W) x 190 mm (D)



Material Product Specification

Frame : STKR & STKM 11A Pipe 1.6~1.8mm mainly for Main frame and Bottom frame
 SPCC & SPHC Plate for Support and support component

Finishing : Powder Coating White Colour

Castor : EUDC-125+T:28X96 Swivel with central, total lock,directional lock

Head & Foot Board : HDPE (High-density polyethylene)

Corner Bumper : PP (Polypropylene)

Bumper List : ABS (Acrylonitrile butadiene styrene)

Packing Case : 1 box for 1 Nursing Bed
 Cardboard Box CB/F 2050 x 1070 x 190 K200/M150x3/K200