



Nursing Bed

Health Therapy Product

Type **CB-3003**

Practice
Comfort
Strength
Safety
Clean
&
Quiet



Chitose®

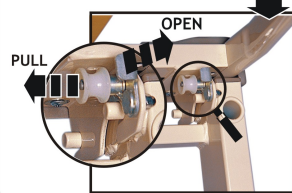
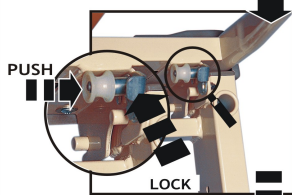
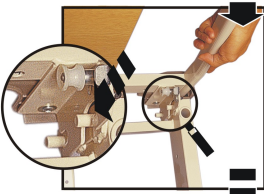
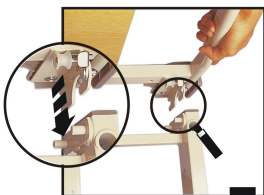
Manufactured by :
PT. Chitose Indonesia Mfg

Chitose®
INNOVATION BY YOUR INSPIRATION

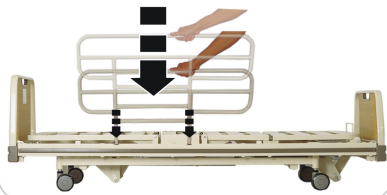
www.chitose-indonesia.com
marketing@chitose-indonesia.com

INNOVATION BY YOUR INSPIRATION

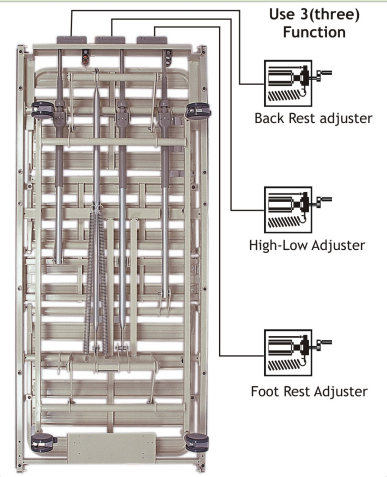
Foot Board & Head Board Installation



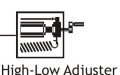
Side Rail Hole



Crank System



Use 3(three)
Function



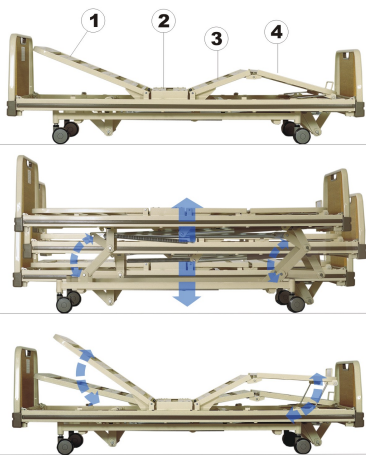
PUSH

LOCK

OPEN

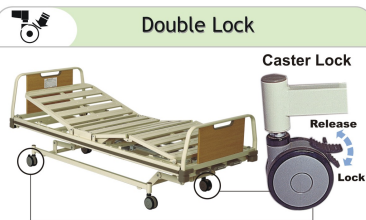
PULL

Ergonomis



The body buffer part consist of four rigid steel panel to support head and back rest.

Double Lock



Independent lock caster system at front and back wheel guarant the safety and stability when bed is stop (condition stood still)

High-Low Crank System



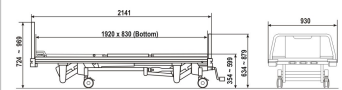
An interesting crank shape to adjust the height bed position wanted .

Panel Design



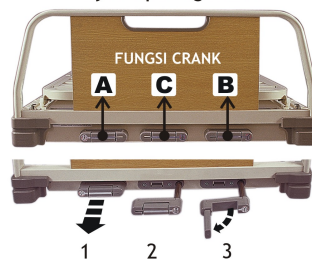
Panel design on foot board and and head board use wood material featuring simple secure, clean, health and nature.

Dimension

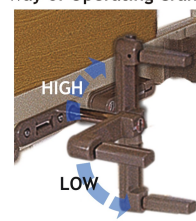


Operational Standard Crank

Way of Opening Crank



Way of Operating Crank



A Back Rest Bottom High Position

B Foot Rest Bottom High Position



Back Rest And Foot Rest Position Adjuster

C Bed High Adjuster

