

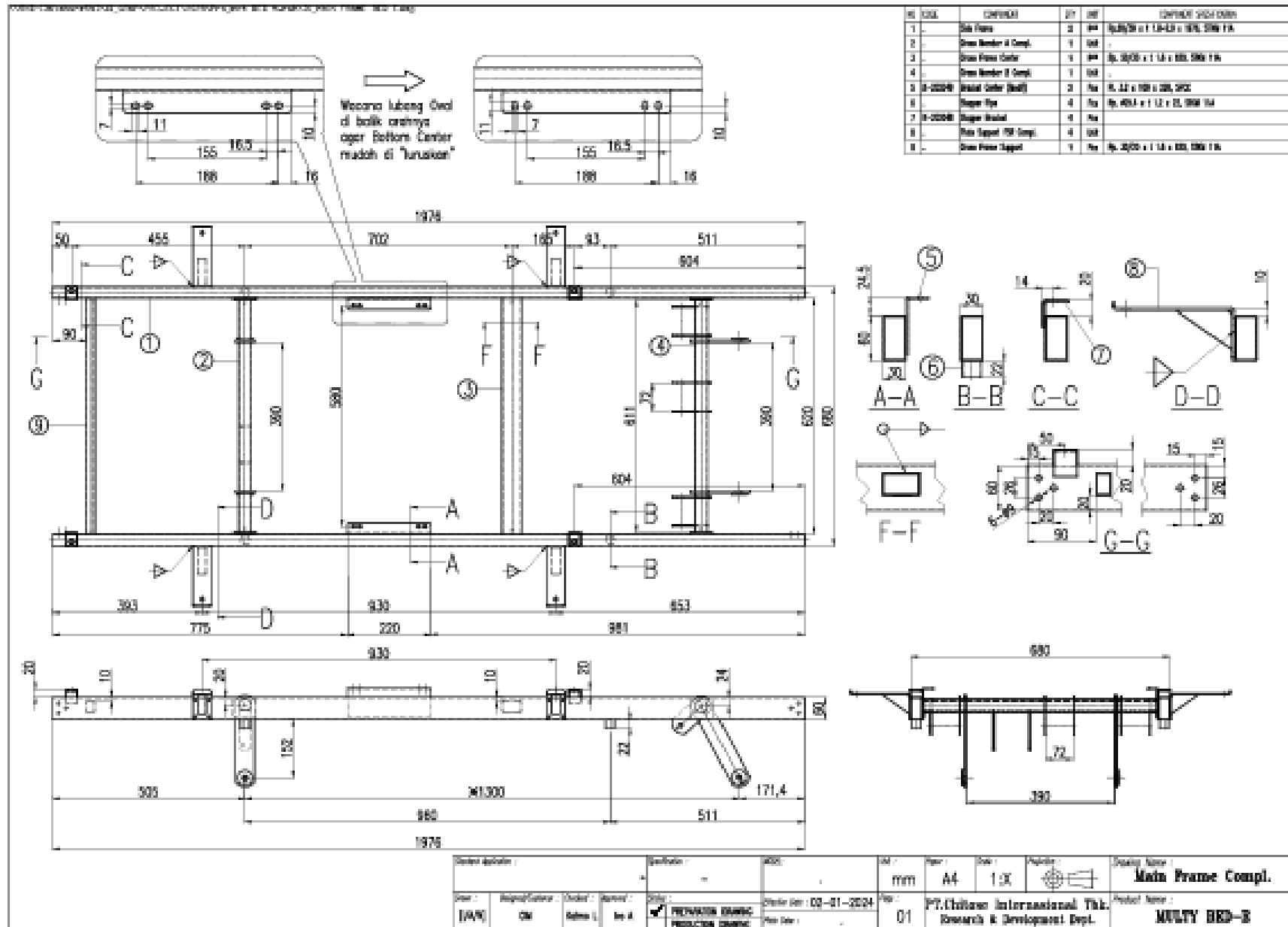
GTKP BED CB - 2002

PERSFEKTIF



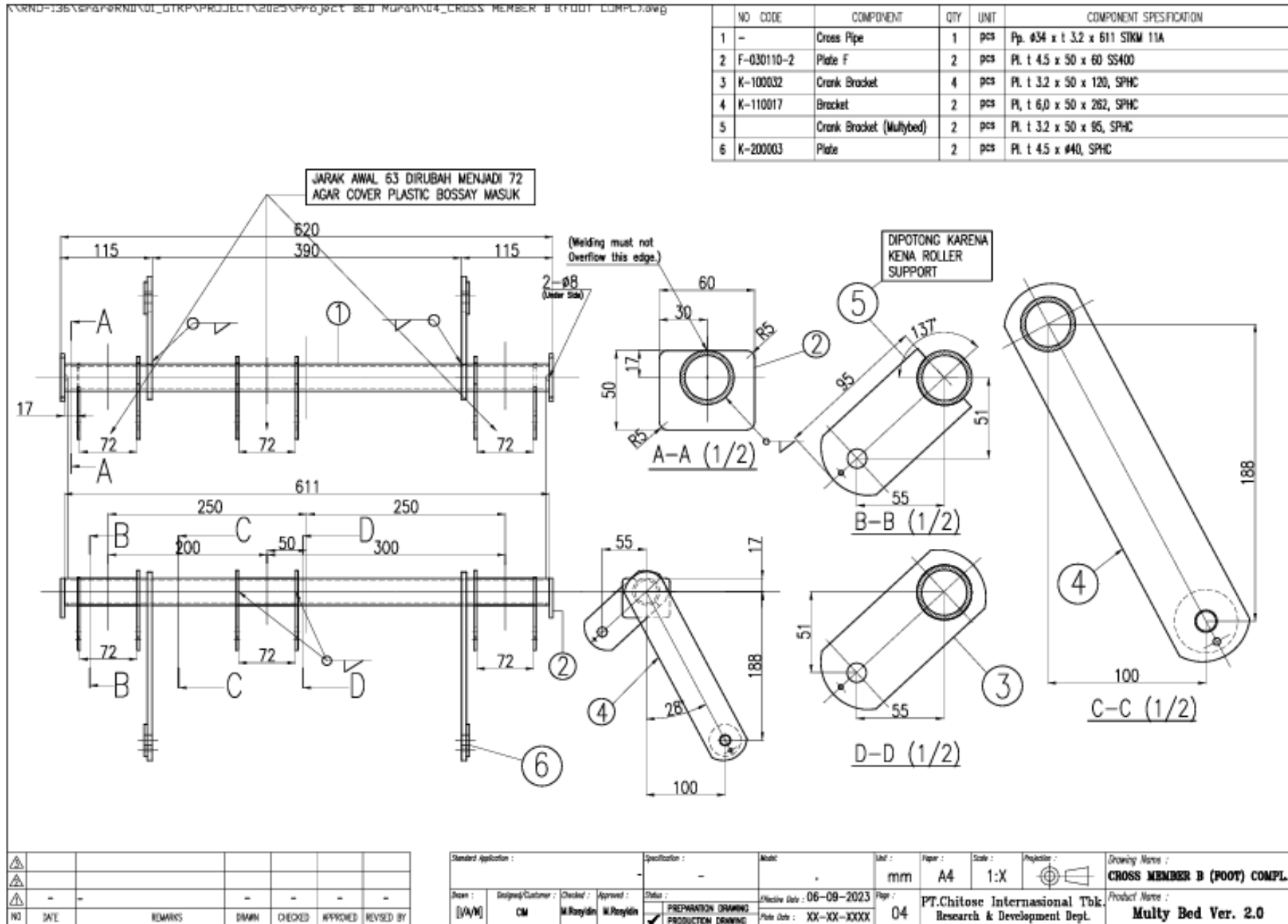
GTKP BED CB - 2002

MAIN FRAME ASSY



GTKP BED CB - 2002

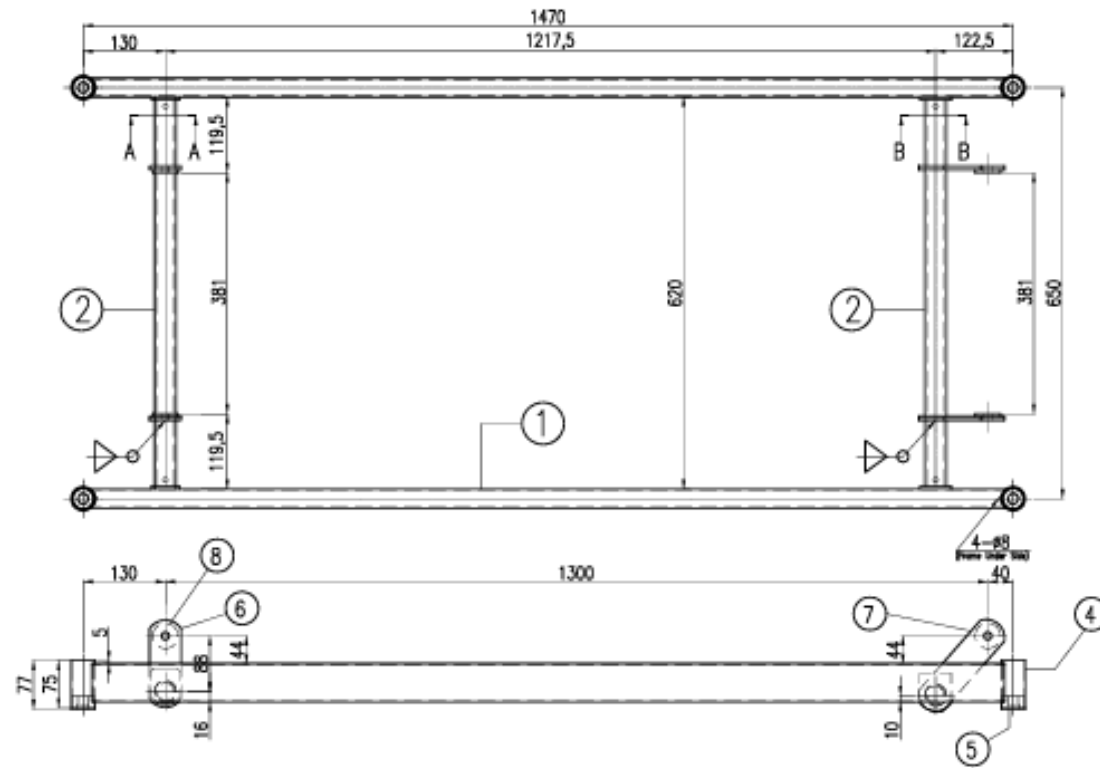
CROSS MEMBER B COMPL



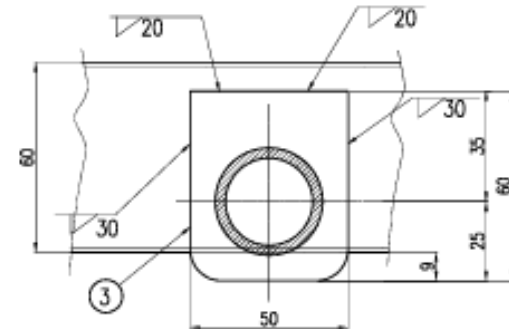
GTKP BED CB - 2002

LOWER FRAME COMPL

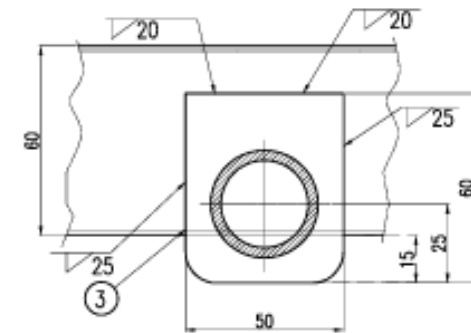
\\SRND-136\SP6\PROJ\G01_GTKP\PROJECT\2025\PP06\JCT BED R06\G016_LOWER FRAME COMPL DOUBLE LOCK.dwg



NO	CODE	COMPONENT	QTY	UNIT	COMPONENT SPECIFICATION
1	-	SIDE FRAME	2	PCS	Pp. 80/30 x t 1.8 x 1443 S304
2	-	CROSS FRAME HEAD & FOOT	2	PCS	434 x t 2.6 x 611 S304/1A
3	-	END PLATE	4	PCS	PL t 4.5 x 44 x 57 S304
4	-	FOOT PIPE	4	PCS	438.1 x t 1.6 x 75 S304
5	K-003004	NUT	4	PCS	438.1 x 21 S3400
6	K-110018	ARM	2	PCS	PL t 6.0 x 50 x 138 S304
7	K-110019	ARM	2	PCS	PL t 6.0 x 50 x 175 S304
8	K-200003	Ring Plate	4	PCS	PL t 4.5 x 440 S304



A-A (1/1)



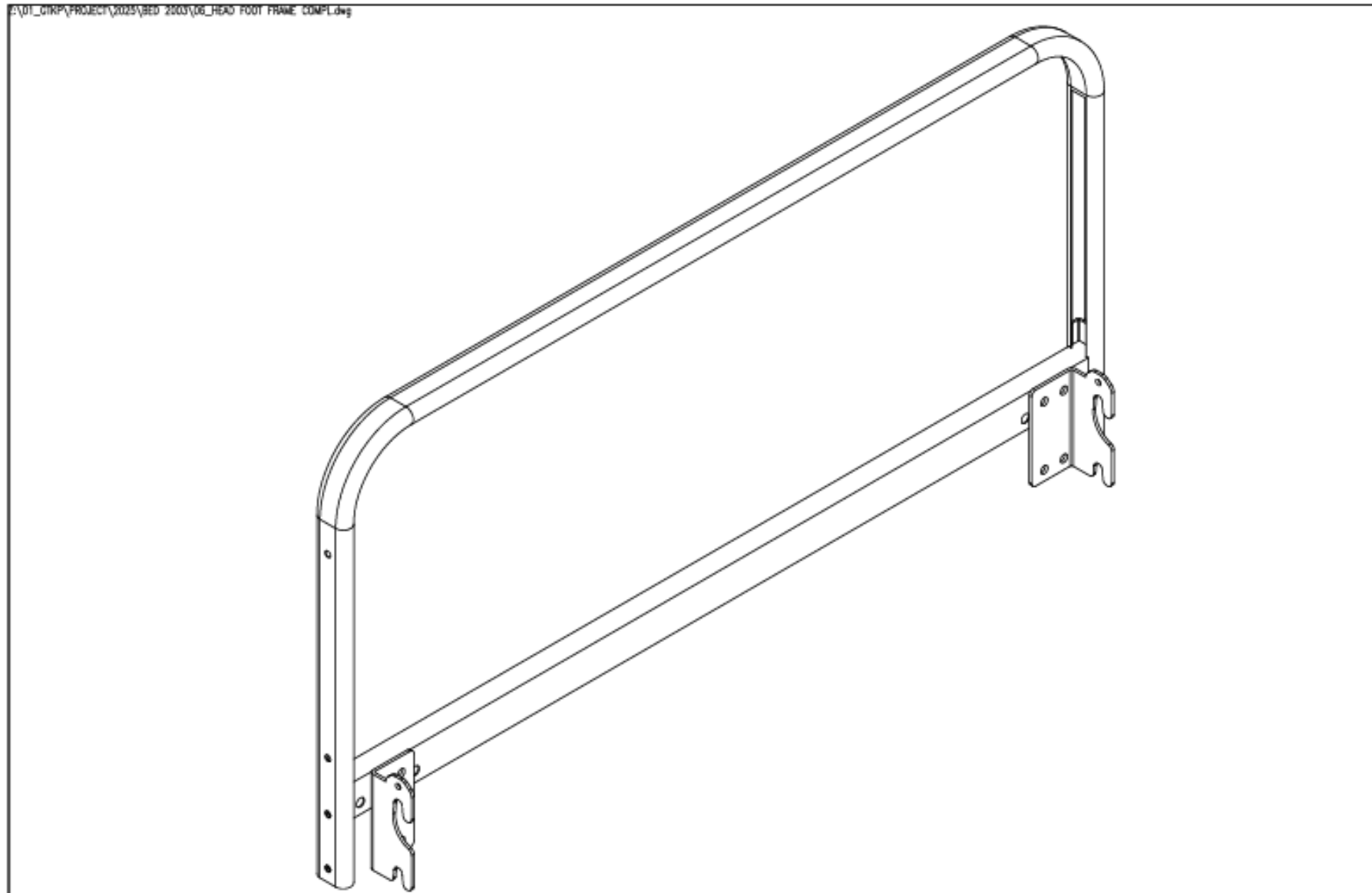
B-B (1/1)

NO	DATE	REMARKS	DRAWN	CHECKED	APPROVED	REVISED BY

Standard Application :		Specification :	MODEL :	Unit :	Paper :	Scale :	Project :	Drawing Name :
Item :	Engg/Customer :	Checked :	Approved :	Date :	Effective Date :	Page :	PT.Chitose Internasional Tbk.	Product Name :
[JAW]	CM	Kelma L	Is A	PREPARATION DRAWING PRODUCTION DRAWING	11-02-2023	16	Research & Development Dept.	BED-E
					File Date :			
					23-05-2025			

GTKP BED CB - 2002

HEAD FOOT FRAME COMPL



△						
△	-	-	-	-	-	-
NO	DATE	REMARKS	DRAWN	CHECKED	APPROVED	REVISED BY

Standard Application :		Specification :		Finishing :		Unit :	Paper :	Scale :	Symbol :	Drawing Name :
		-		-		mm	A4	1:X		HEAD FRAME COMPL.
Drawn :	Designed/Custom :	Checked :	Approved :	Status :	Effective Date :	Appr. :	PT.Chitose Internasional Tbk.		Product Name :	
[V/V]	CM	Katrina L.	Ivo A.	<input type="checkbox"/> PREPARATION DRAWING <input checked="" type="checkbox"/> PRODUCTION DRAWING	19-08-2025	-	Research & Development Dept.		BED 2003/2002/2300	
						File Date :				