

# CHITOSE Hospital Bed [trademark] CB3003 plus



## FEATURES & PROCEDURES



### Fungsi Standar

Sistem Operasi : 3 Operasi Crank untuk posisi Tinggi-Rendah, Sandaran Kepala & Sandaran kaki

Posisi : - Tinggi - Renda : Digerakkan manual dengan Crank  
 - Sandaran Kepala : Digerakkan manual dengan Crank, mulai dari 0° sampai 80°  
 - Sandaran Kaki : Digerakkan manual dengan cank, mulai dari 0° sampai 80°

Keutamaan : - design sederhana, sudut tidak tajam (permukaan halus)  
 - Mekanisme pengoperasian sederhana, menggunakan sistem crank  
 - Kokoh dan anti karat  
 - Roda yang mudah digerakkan dan ditempatkan, dengan sistem kunci - tanpa kunci

Sistem Penguncian : Sistem penguncian ganda pada roda caster

Assesories : tiang IV (2 tipe pilihan) dan Side Rail biasa/ Side rail lipat, lemari samping, Meja atas kasur, Pijakan kaki, matras Cpro/ Busa Urethane

### Ukuran Produk

Ukuran  
 P x L x T min-max : 2230 x 1030 x 760~1005

### Berat Produk

Berat : ± 90KG  
 Kapasitas beban : ± 400KG (Statis)  
 & ±170KG (Dinamis)  
 Ukuran Kemasan : 2050 x 1070 mm x 190

Lot No :  
 Type :

PT. Chitose Internasional Tbk  
 Jln. Industri III No.5 Utama Cimahi  
 40533, Jawa Barat Indonesia

Showroom - Marketing Office  
 Distributor Center Jln. H.M.S.  
 Mintarejeda Baros Cimahi 40521,  
 Indonesia Ph. +62 22 206 4777

Manufactured by Chitose

### MANUFACTURE LABEL AND LOT NUMBER

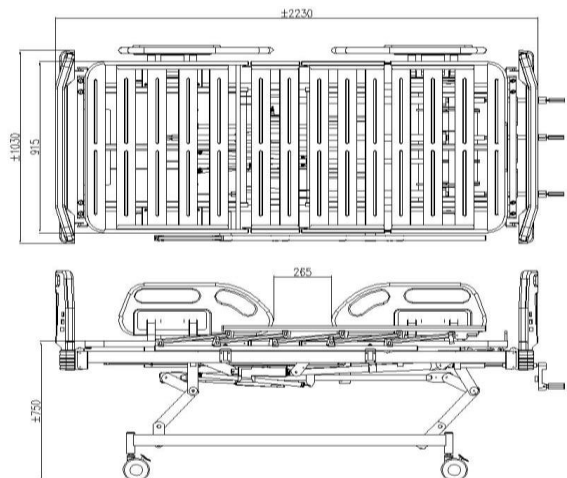


**IZIN EDAR KEMENKES**  
 bahan dasar : sticker warna putih  
 posisi penempatan pada Frame

**Chitose**<sup>®</sup>  
 MANUFACTURER LABEL

SUCOFINDO SNI  
 PCS 01095.01 SNI IEC 60601-2-52-2014  
 LSP1-022-IDN

### SNI LABEL



# CHITOSE Hospital Bed [trademark] CB3003 plus



## FEATURES & PROCEDURES



Head/foot board panel dismantle

Head/foot board panel installation

Irrigator bar installation (applicable for every nursing bed)



An unique eye catching foldable crank is designed to give high-low bed adjustable

Independent lock caster (one at front and one at back of the bed) provides stability and secure parking

## Standard Function

Operating System : 3 Crank operation for High-Low, Head Rest & Foot Rest positions

Position : - High – low: Manual operation with Crank  
 - Head rest: Manual operation with Crank, tilting from 0 to 80°  
 - Foot rest : manual operation with Crank, tilting form 0\* to 80\*

Primary : - Simple design, no sharp corners (smooth surface)  
 - Easy operating mechanism, with Crank System  
 - Sturdy and anti-rust  
 - Wheels that are easy to move and position, with lock - unlock system

Lock System : Double Lock System on the Wheels

Accessories : IV Pole (2 Type Option) and Side Rail / Folding Side rail  
 Bed Side Cabinet, Over Bed Table, and Foot Step  
 Airmate Cpro Mattress / Urethane

## Product Dimension

Dimension

L x W x D : 2230 x 1030 x 760~1005

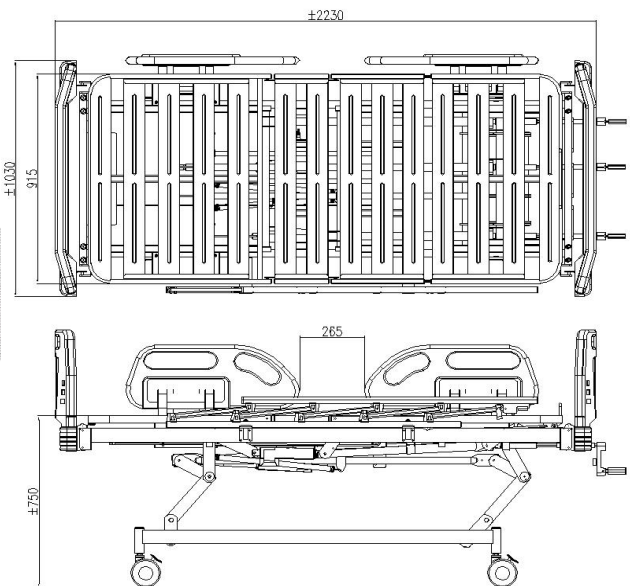
## Product Weight

Weight : ± 90KG

Load Capacity : ± 400KG (Static)

& ±170KG (Dynamic)

Packing Dimension : 2050 x 1070 mm x 190



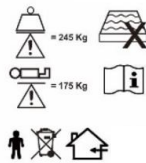
Lot No :

Type :

PT. Chitose Internasional Tbk  
 Jln. Industri III No.5 Utama Cimahi  
 40533, Jawa Barat Indonesia

Showroom - Marketing Office  
 Distributor Center Jln. H.M.S.  
 Mintaredja Baros Cimahi 40521,  
 Indonesia Ph. +62 22 206 4777

Manufactured by Chitose



MANUFACTURE LABEL AND LOT NUMBER

**Chitose**<sup>®</sup>

MANUFACTURER  
 LABEL



PCS 01095.01 SNI IEC 60601-2-52-2014  
 LSPr-022-IDN

SNI LABEL



**Chitose bed**

KEMENKES RI AKD: \_\_\_\_\_

IZIN EDAR KEMENKES

bahan dasar : sticker warna putih  
 posisi penempatan pada Frame

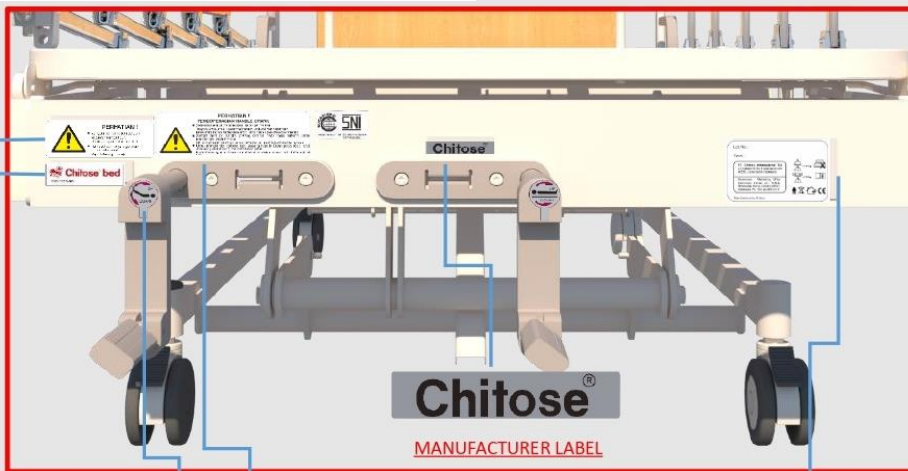
# CHITOSE Hospital Bed [trademark]

## CB 3003 PLUS



### Standard Function

- Operating System : 3 Crank operation for High-Low, Head Rest and Foot Rest positions
- Position : - High - low: Manual operation with Crank  
- Head rest: Manual operation with Crank, tilting from 0 to 80 degrees  
- Foot Rest : Manual operation with Crank, tilting from 0 to 80 degrees
- Primary : - Simple design, no sharp corners (smooth surface)  
- Easy operating mechanism, with Crank System  
- Sturdy and anti-rust  
- Wheels that are easy to move and position, with lock - unlock system
- Lock System : Double Lock System on the Wheels
- Accessories : IV Pole (2 Type Option) and Side Rail / Folding Side rail  
Bed Side Cabinet, Over Bed Table, and Foot Step  
Aimate Cpro Mattress / Urethane



**CRANK LABEL**



**PERHATIAN !  
PENGOPERASIAN HANDLE CRANK**

- Sebelum memutar handle crank, harap perhatikan :  
Tangan Anak-anak, Hewan peliharaan, alat-alat dan bahan lain
- Belas dan handle crank akan mudah rusak, gunakan cara yang benar.
- Setelah memutar Handle, pasang kembali pada posisi terkunci untuk menghindari jatuh/tabrakan.
- After turning the crank handle, put the crank on lock position in order to avoid sudden falling down.
- Untuk menghindari terkena kaki, pasang Handle Crank pada posisi awal (fungsi) alat tersebut, maka Bed akan jalan in order to avoiding hit, put the crank handle back on first position (locked) if it is not, the bed weight is down.

**Caution Handle operation**



**IZIN EDAR KEMENKES**

**PERHATIAN !**

- Jangan menempatkan tangan dibawah tempat tidur.  
Do not place your hand under the bed
- Tempat tidur hanya digunakan untuk satu orang.  
Capacity for one person only

**CAUTION LABEL**

Lot No :  
Type :

PT. Chitose Internasional Tbk  
Jln. Industri III No.5 Utama Cimahi  
40533, Jawa Barat Indonesia

Showroom - Marketing Office  
Distributor Center Jln. H.M.S.  
Mintarejda Baros Cimahi 40521,  
Indonesia Ph. +62 22 206 4777

Manufactured by Chitose

**MANUFACTURE LABEL AND LOT NUMBER**

- Lot Number and Product Type
- Manufacture Information
- Safe Workload Sign and Maksimum Weight Sign
- Use Appropriate mattress Sign  
See Manual Instruction Sign
- Applied Part Sign  
Do not Dispose as Household Waste Sign  
Indoor Using Only Sign