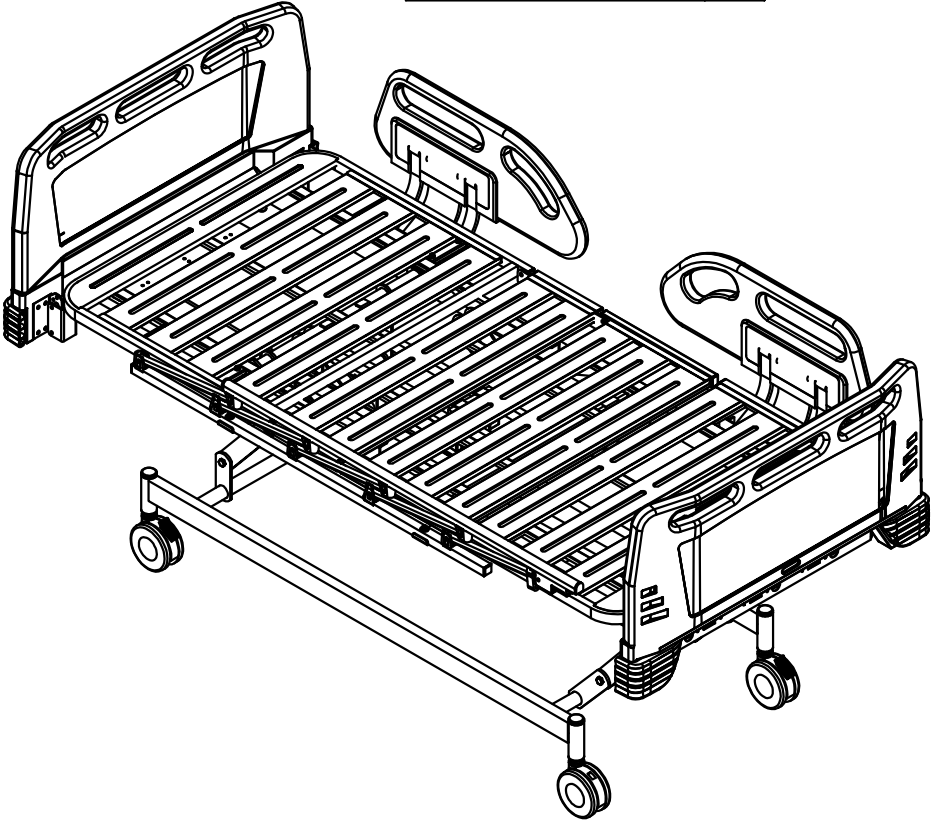
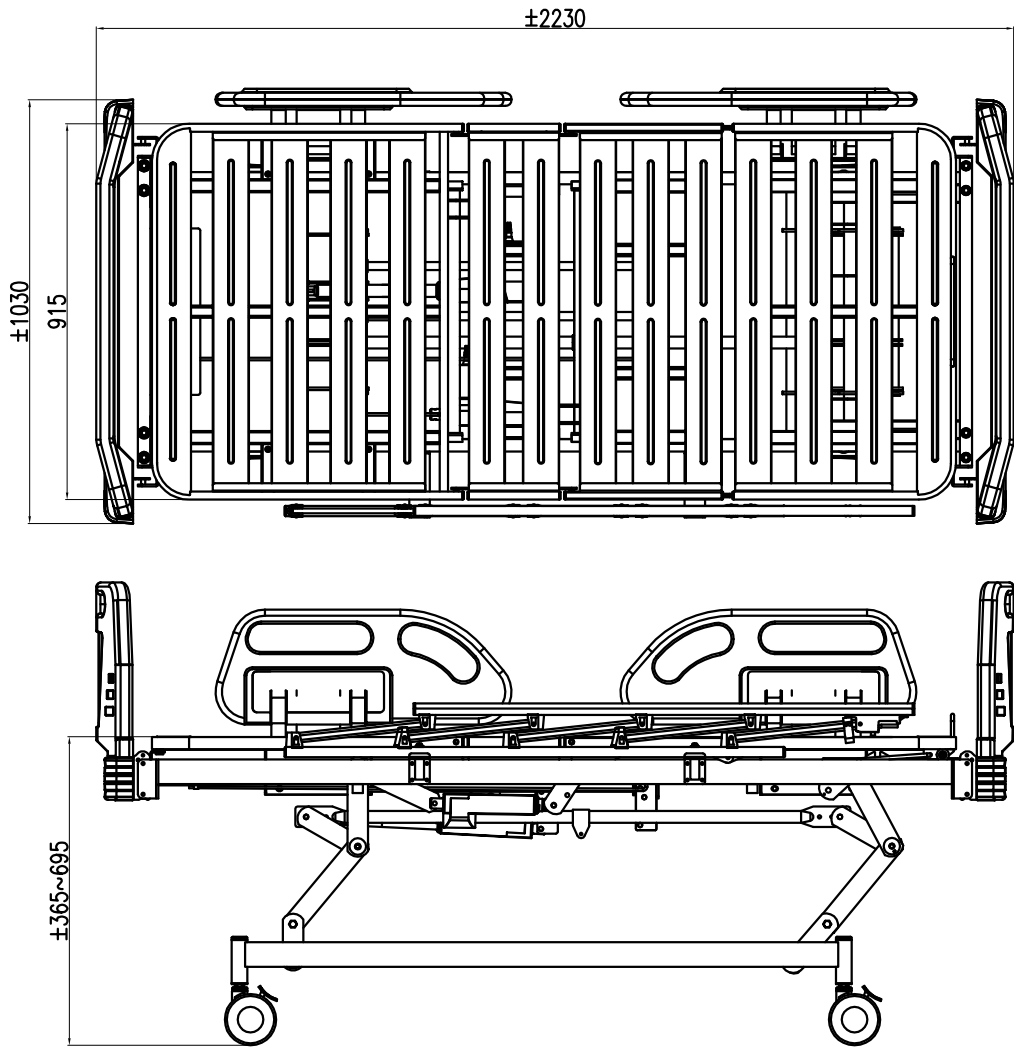


CB-3300 PLUS

GTKP

Gambar Teknik
Komponen Produk

3012 PLUS	
3003 PLUS	
3300 PLUS	✓

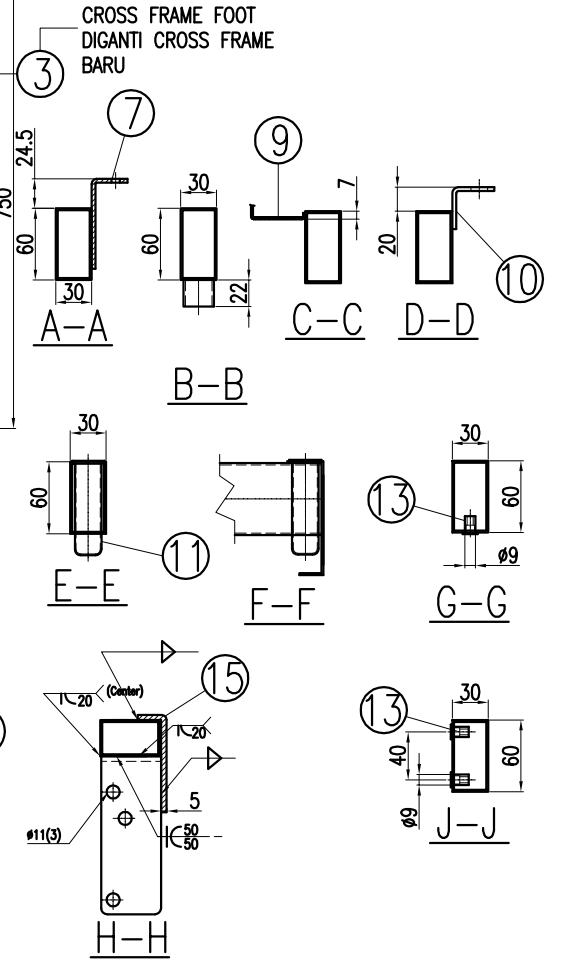
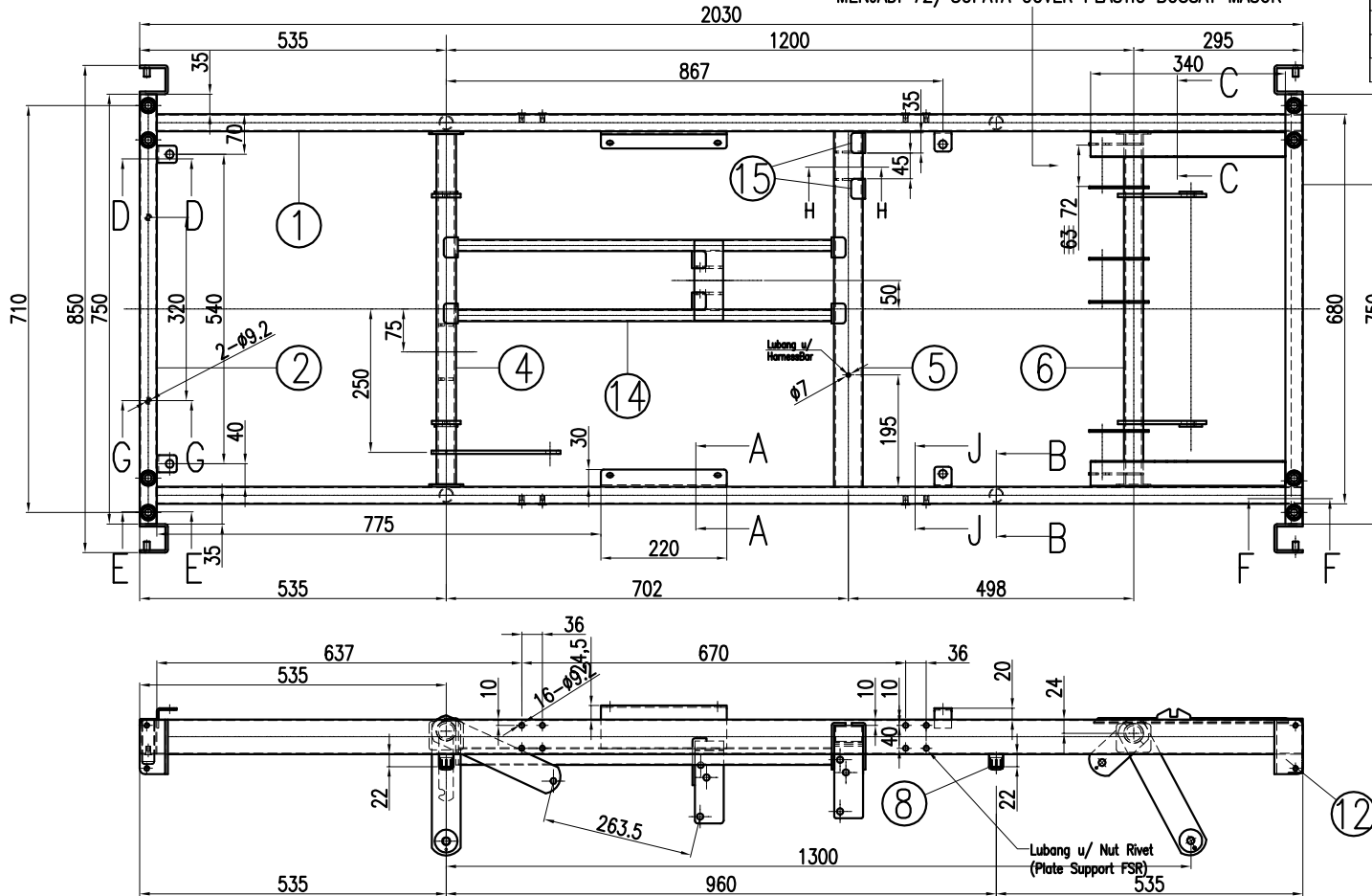


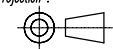
△						
△						
△	-	-	-	-	-	-
NO	DATE	REMARKS	DRAWN	CHECKED	APPROVED	REVISED BY

Standard Application :				Specification :	Finishing :	Unit :	Paper :	Scale :	Projection :	Drawing Name :
				-	-	mm	A4	1:X		DIMENSION
Drawn :	Designed/Customer :	Checked :	Approved :	Status :	Effective Date :	Page :	PT.Chitose Internasional Tbk.		Product Name :	
[I/A/N]	CIM	M.Rosyidin	M.Rosyidin	PREPARATION DRAWING PRODUCTION DRAWING	XX-XX-XXXX	00	Research & Development Dept.		CB 3300 PLUS	
				Plot Date :	XX-XX-XXXX					

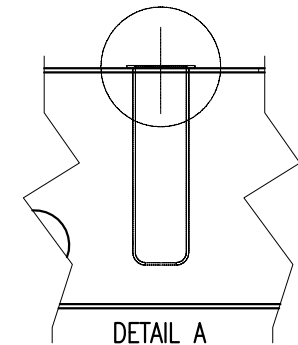
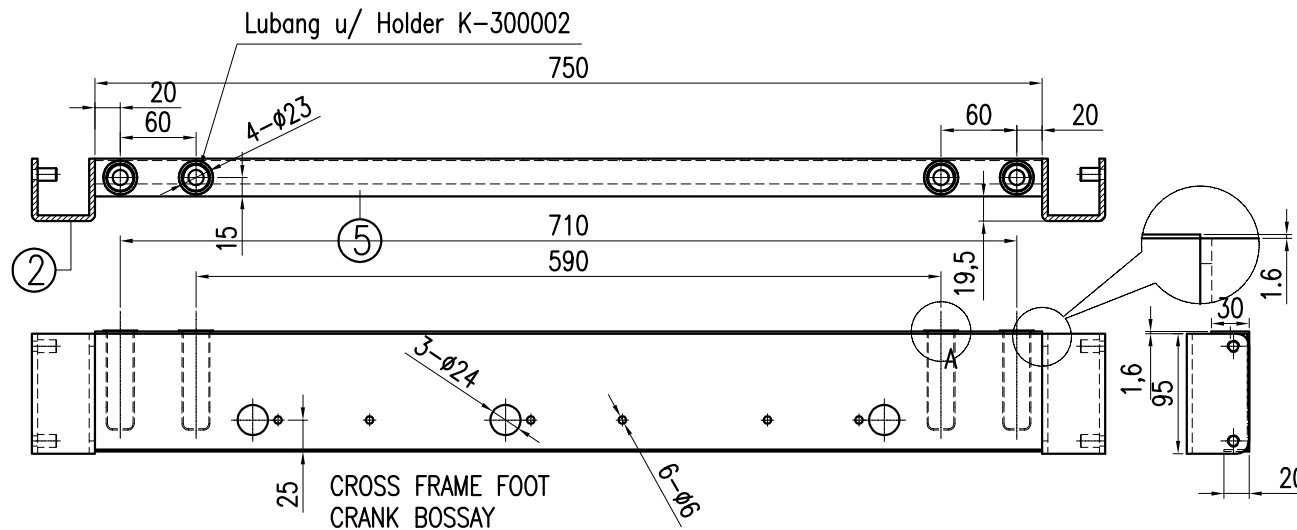
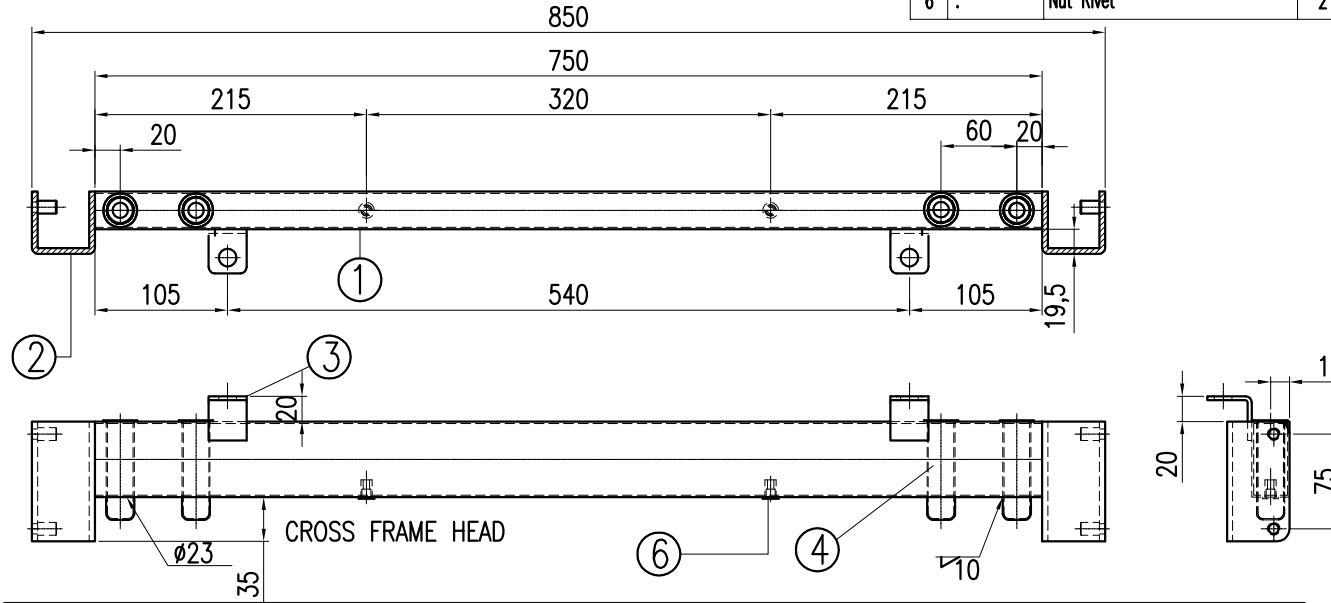
NO	CODE	COMPONENT	QTY	UNIT	COMPONENT SPECIFICATION
1	.	Side Frame	2	PCS	Pp.60/30 x t 1.8 x 1998, STRM 11A
2	.	Cross Frame A (Head) Compl.	1	PCS	Pp. 60/30 x t 1.8 x 750, STRM 11A
3	.	Cross Frame B (Foot) Compl.	1	PCS	PL t 1.6 x 139 x 750, SPCC
4	.	Cross Member A Compl.	1	Unit	-
5	.	Cross Frame Center	1	PCS	Pp. 50/30 x t 1.6 x 620, STRM 11A
6	.	Cross Member B Compl.	1	Unit	-
7	K-202048	Bracket Center	2	Pcs	PL 3.2 x 100 x 220, SPCC
8	.	Stopper Pipe	4	Pcs	Pp. #25.4 x t 1.2 x 22-53, STRM 11A
9	K-212005	Roller Support	2	Pcs	-
10	K-202048	Stopper Bracket	4	Pcs	-
11	K-300002	Holder	8	Pcs	-
12	K-212015	Hook Bracket	4	Pcs	-
13	.	Rivet Nut	18	Pcs	M6
14	.	Bracket Frame Compl.	1	Unit	-
15	K-202061	Angle K	2	Pcs	PL t 4.5 x 35 x 98, SPCC-S0

JARAK CRANK BRACKET K-100032 DI PERLEBAR (AWAL 63 MENJADI 72) SUPAYA COVER PLASTIC BOSSAY MASUK



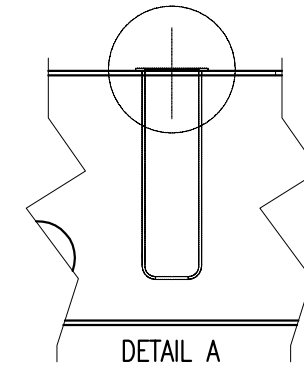
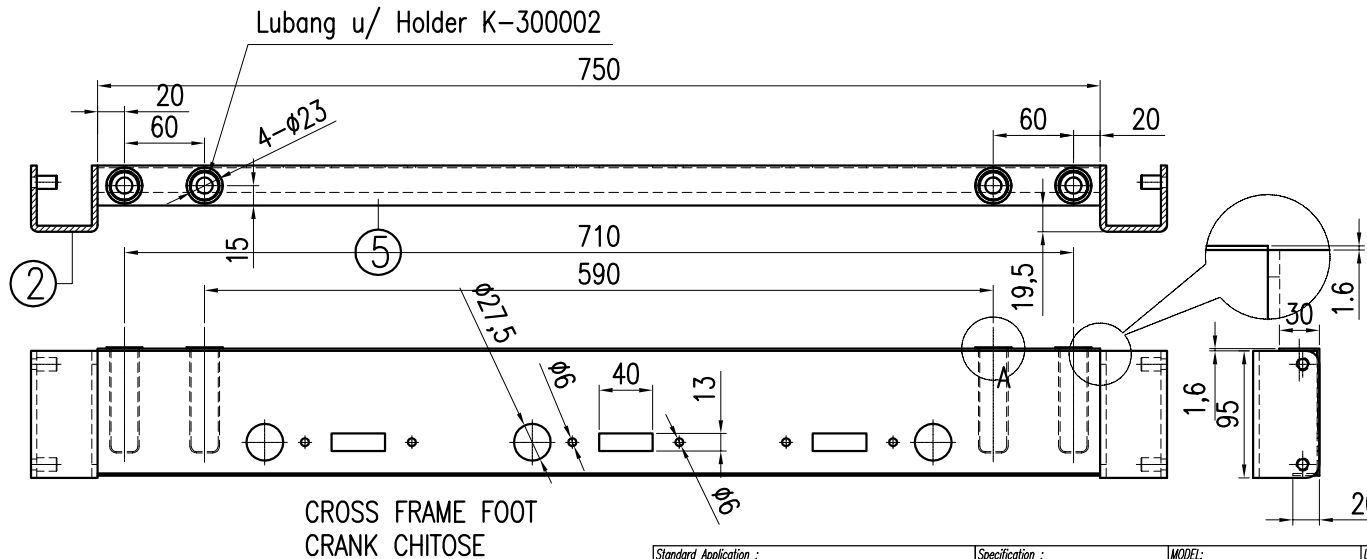
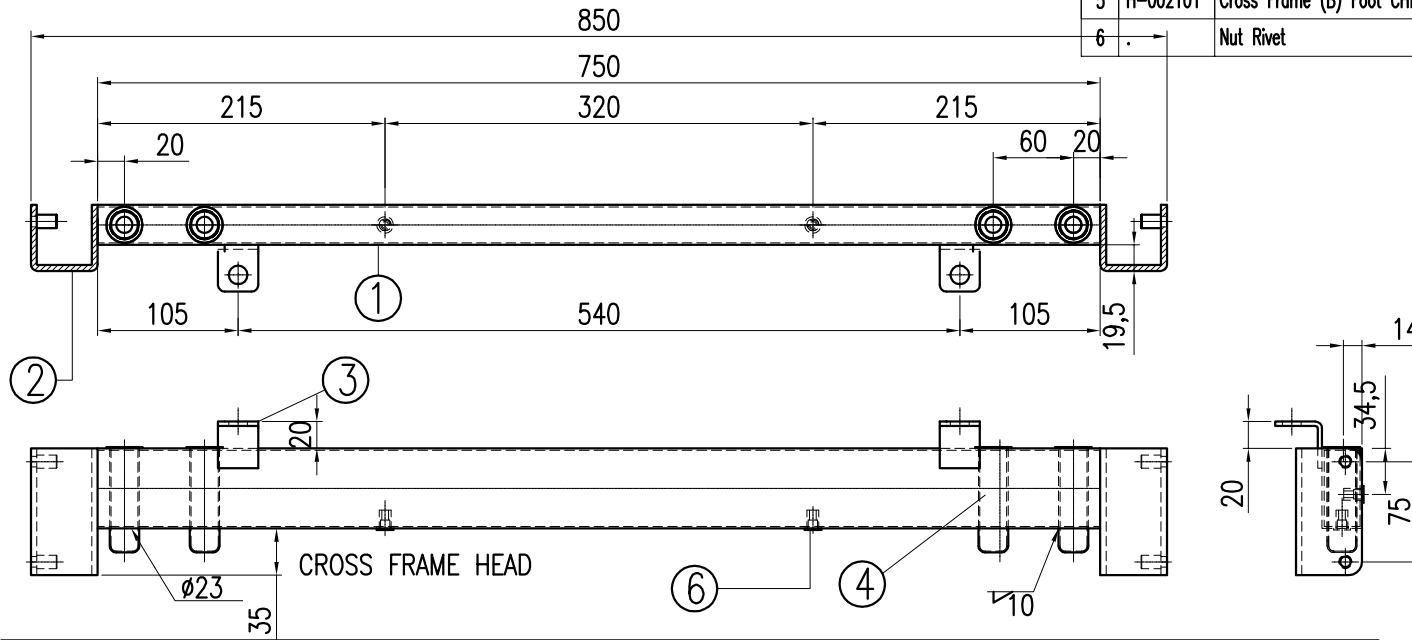
Standard Application :				Specification :		MODEL :		Unit :		Paper :		Scale :		Projection :		Drawing Name :	
								mm		A4		1:X				Main Frame Compl.	
Drawn :	Designed/Customer :	Checked :	Approved :	Status :	Effective Date :	Page :	PT.Chitose Internasional Tbk.		Product Name :								
[I/A/N]	CM	M.Rosyidin	M.Rosyidin	<input type="checkbox"/> PREPARATION DRAWING <input checked="" type="checkbox"/> PRODUCTION DRAWING	31-08-2023	1	Research & Development Dept.		CB 3012/3003/3300 PLUS								

NO	CODE	COMPONENT	QTY	UNIT	COMPONENT SPESIFICATION
1	.	Cross Frame (A) Head	2	Pcs	Pp. 60/30 x t 1.2 x 750 STKR
2	K-212015	Bracket	4	pcs	.
3	K-202048	Stopper Bracket	2	pcs	.
4	K-300002	Holder	8	pcs	.
5	H-002101	Cross Frame (B) Foot BOSSAY	1	pcs	Pl. t 1.6 x (139) x 750, SPHC
6	.	Nut Rivet	2	pcs	M6



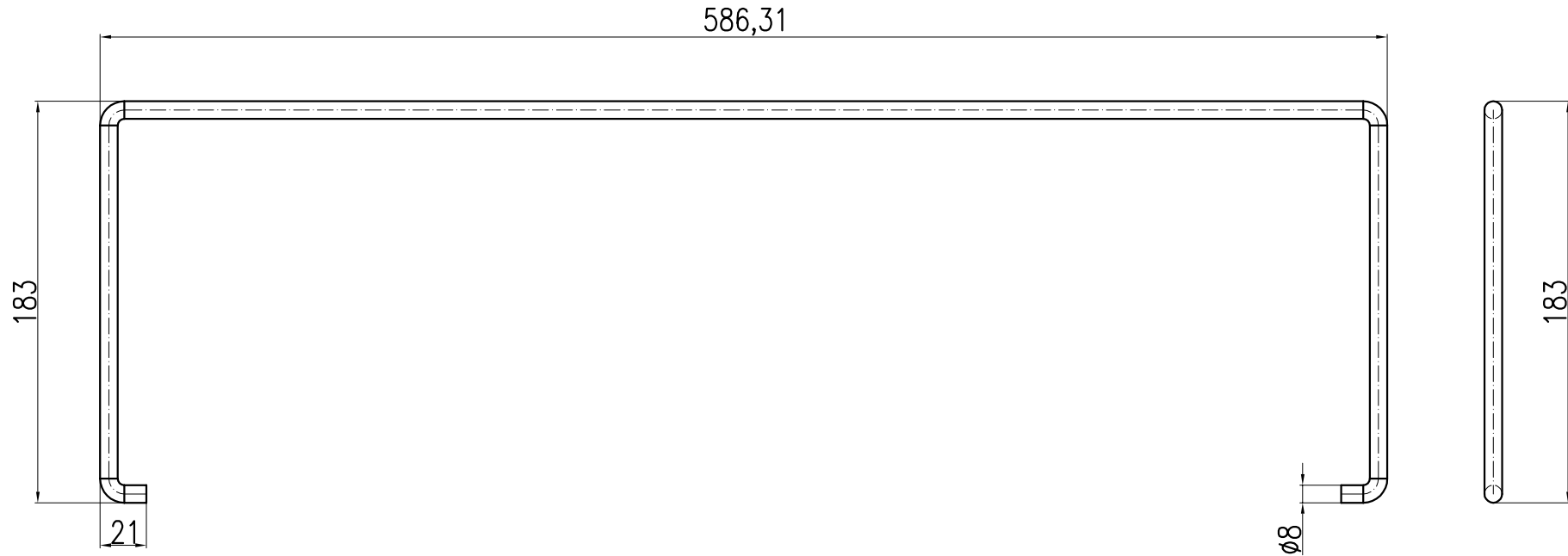
Standard Application :				Specification :		MODEL :		Unit :	Paper :	Scale :	Projection :	Drawing Name :
								mm	A4	1:X		CROSS FRAME HEAD & FOOT COMPL. BOSSAY
Drawn :	Designed/Customer :	Checked :	Approved :	Status :	Effective Date :	Page :	PT.Chitose Internasional Tbk.		Product Name :			
[I/A/N]	CIM	M.Rosyidin	M.Rosyidin	PREPARATION DRAWING PRODUCTION DRAWING	06-02-2023 XX-XX-XXXX	2	Research & Development Dept.		CB-3012/3003/3300 PLUS			

NO	CODE	COMPONENT	QTY	UNIT	COMPONENT SPESIFICATION
1	.	Cross Frame (A) Head	2	Pcs	Pp. 60/30 x t 1.8 x 750 STKR
2	K-212015	Bracket	4	pcs	.
3	K-202048	Stopper Bracket	2	pcs	.
4	K-300002	Holder	8	pcs	.
5	H-002101	Cross Frame (B) Foot CHITOSE	1	pcs	Pl. t 1.6 x (139) x 750, SPHC
6	.	Nut Rivet	2	pcs	M6



Standard Application :				Specification :		MODEL :		Unit :	Paper :	Scale :	Projection :	Drawing Name :
								mm	A4	1:X		CROSS FRAME HEAD & FOOT COMPL. CHITOSE
Drawn :	Designed/Customer :	Checked :	Approved :	Status :	Effective Date :	Page :	PT.Chitose Internasional Tbk.		Product Name :			
[I/A/N]	CIM	M.Rosyidin	M.Rosyidin	PREPARATION DRAWING PRODUCTION DRAWING	06-02-2023	2	Research & Development Dept.		CB 3012/3003/3300 PLUS			

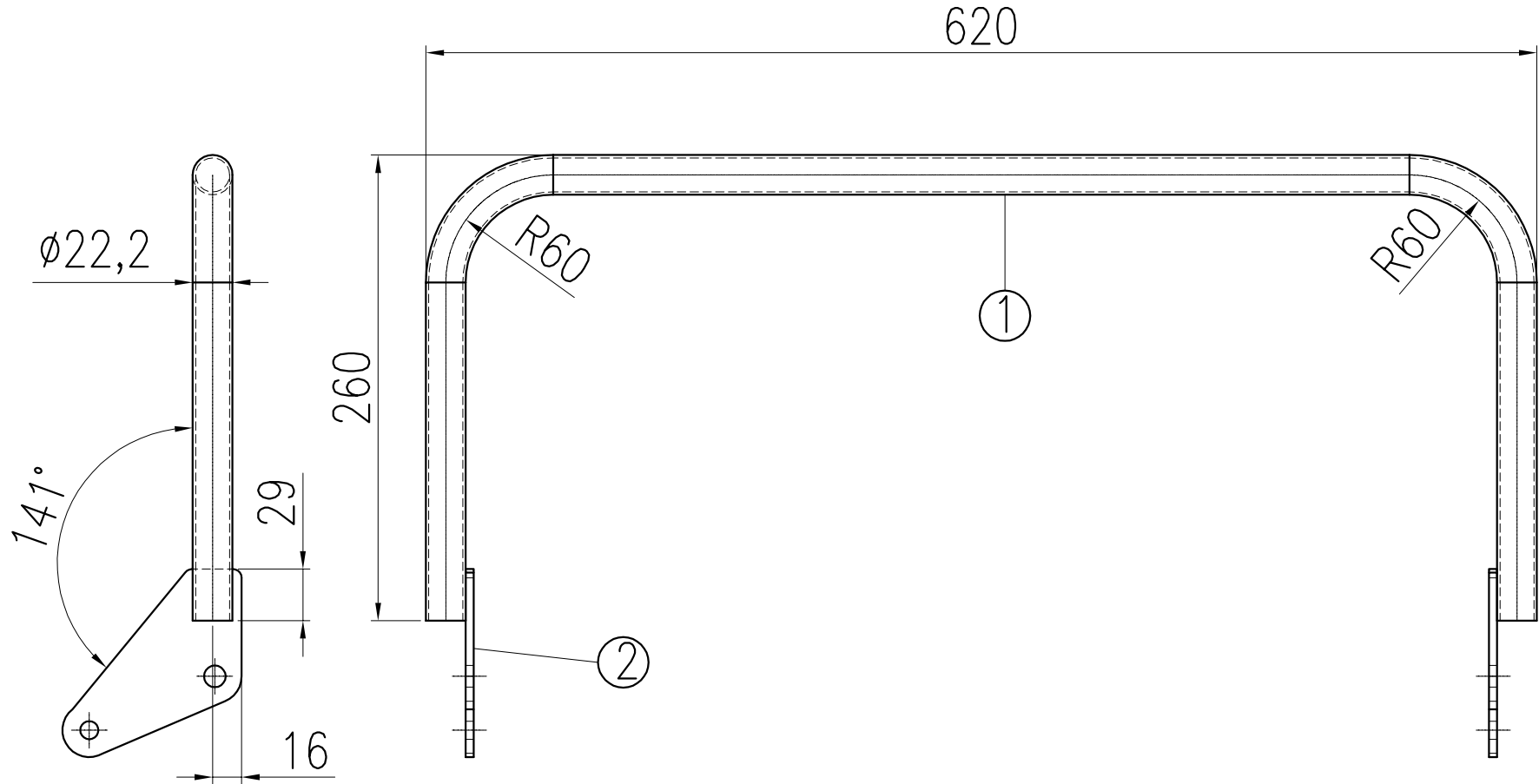
NO	CODE	COMPONENT	QTY	UNIT	COMPONENT SPESIFICATION
1	-	Bottom Stopper	1	pcs	Asstall Ø8 x (950)



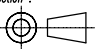
NO	DATE	REMARKS	DRAWN	CHECKED	APPROVED	REVISED BY
△						
△						
△	-	-	-	-	-	-

Standard Application :				Specification :		Finishing :		Unit :		Paper :		Scale :		Projection :		Drawing Name :	
				-		-		mm		A4		1:X				BOTTOM STOPPER	
Drawn :		Designed/Customer :		Checked :		Approved :		Status :		Effective Date :		Page :		PT.Chitose Internasional Tbk.			
[I/A/N]		CIM		M.Rosyidin		M.Rosyidin		<input type="checkbox"/> PREPARATION DRAWING <input checked="" type="checkbox"/> PRODUCTION DRAWING		11-02-2023		15		Research & Development Dept.			
										Plote Date :		XX-XX-XXXX					
												Product Name : CB-3012/3003/3300 PLUS					

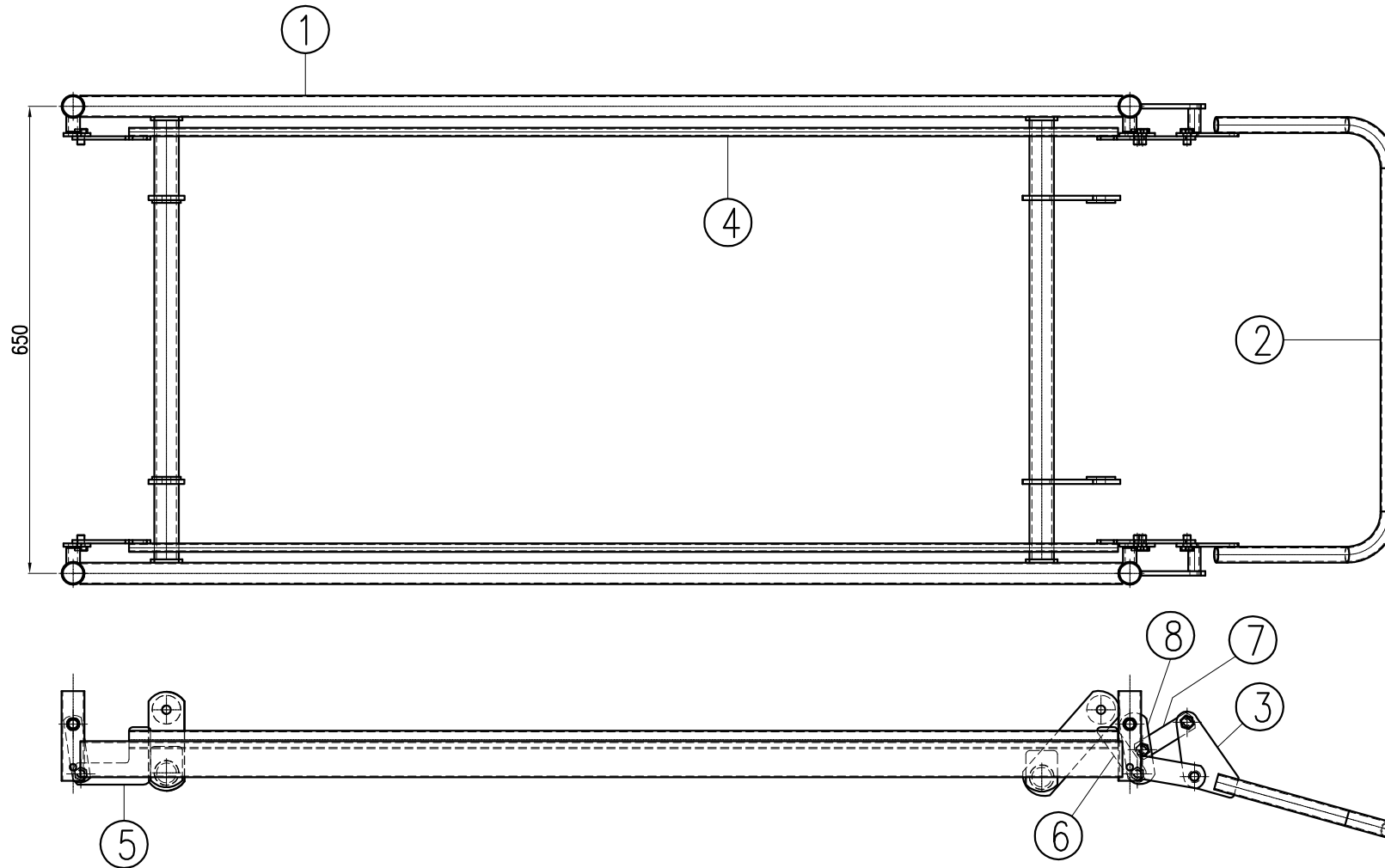
NO	CODE	COMPONENT	QTY	UNIT	COMPONENT SPESIFICATION
1	K-108001	Foot Lever	1	pcs	Pp. $\phi 22,2$ x t 1.6 x (1044), STKM 11A
2	K-108002	Foot Bracket	2	pcs	Pl t 4.5 x 100 x 105, SPHC



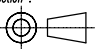
NO	DATE	REMARKS	DRAWN	CHECKED	APPROVED	REVISED BY

Standard Application :				Specification :		Finishing :		Unit :		Paper :		Scale :		Projection :		Drawing Name :	
-				-		-		mm		A4		1:X				Foot Lever Compl.	
Drawn :		Designed/Customer :		Checked :		Approved :		Status :		Effective Date :		Page :		PT.Chitose Internasional Tbk.			
[I/A/N]		CIM		M.Rosyidin		M.Rosyidin		<input type="checkbox"/> PREPARATION DRAWING <input checked="" type="checkbox"/> PRODUCTION DRAWING		XX-XX-XXXX		18_1		Research & Development Dept.			
NO		DATE		REMARKS		DRAWN		CHECKED		APPROVED		REVISED BY		Product Name : CB-3012/3003/3300 PLUS			

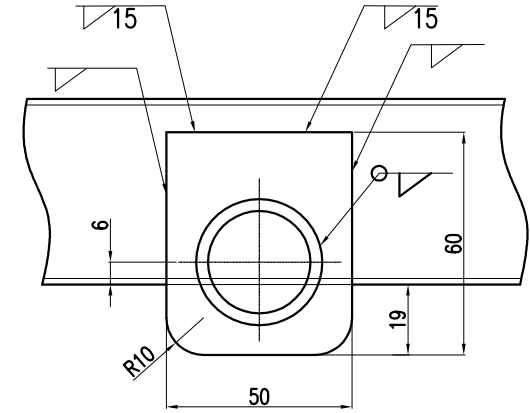
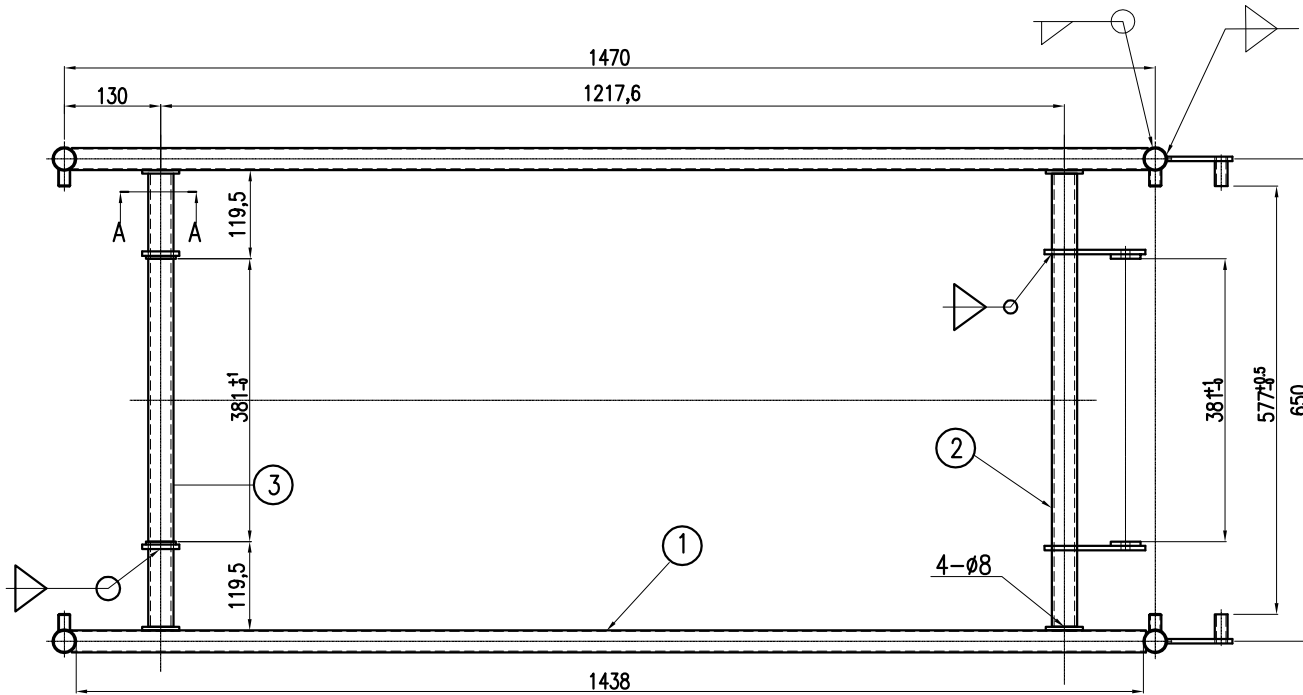
NO	CODE	COMPONENT	QTY	UNIT	COMPONENT SPESIFICATION
1	.	LOWER FRAME COMPL.	2	pcs	Pp. 60/30 x t 1.8 x 1443 STKR
2	.	Foot Lever	1	pcs	Pp. $\phi 22.2$ X t 1.6 X (1044), STKM 11A
3	K-108002	Foot Bracket	2	pcs	Pl. t 4.5 x 100 x 105, SPHC
4	.	Pipe	2	pcs	Pp. 32/12 ~ 30/20 x t 1.6 x 1376, STKM 11A
5	K-108007	Bracket	2	pcs	Pl t 4.5 x 80 x 109, SPHC
6	K-108008	Bracket	2	pcs	Pl. t 4.5 x 25 x 100, SPHC
7	K-108006	Link	2	pcs	Pl. t 4.5 x 25 x 93, SPHC
8	K-108003	Link	2	pcs	Pl t 4.5 x 38 x 100, SPHC



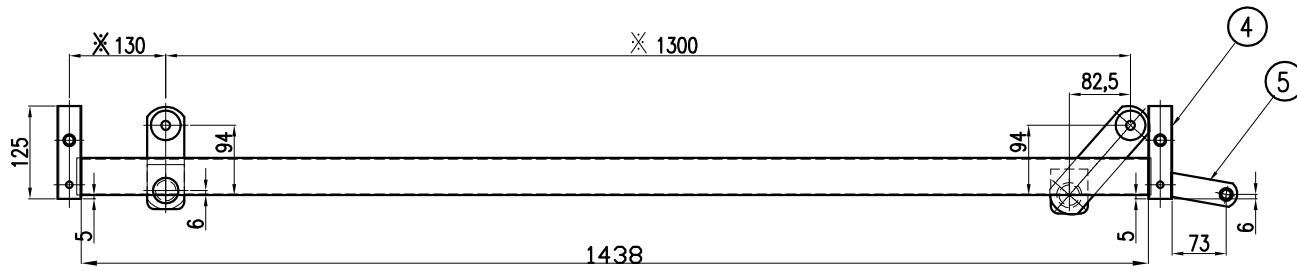
NO	DATE	REMARKS	DRAWN	CHECKED	APPROVED	REVISED BY
△						
△						
△	-	-	-	-	-	-

Standard Application :				Specification :		MODEL:		Unit :		Paper :		Scale :		Projection :		Drawing Name :	
				-		Multy Bed		mm		A4		1:X				TOTAL LOCK ASSY	
Drawn :		Designed/Customer :		Checked :		Approved :		Status :		Effective Date :		Page :		Product Name :			
[I/A/N]		CIM		Katmo L		M. Rosyidin		<input checked="" type="checkbox"/> PREPARATION DRAWING <input type="checkbox"/> PRODUCTION DRAWING		07-07-2023		18		PT.Chitose Internasional Tbk. Research & Development Dept.			
										Plote Date :				CB-3300 PLUS			
										25-10-2023							

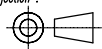
NO	CODE	COMPONENT	QTY	UNIT	COMPONENT SPESIFICATION
1	.	SIDE FRAME LOWER	2	pcs	Pp. 60/30 x t 1.8 x 1443 STKM 11A
2	.	CROSS FRAME FOOT LOWER	1	Unit	.
3	.	CROSS FRAME HEAD LOWER	1	Unit	Pl. t 4.5 x 44 x 57 SPHC
4	K-205006	FOOT PIPE COMPL	4	Unit	.
5	K-301011	LEVER BRACKET COMPL	2	Unit	.



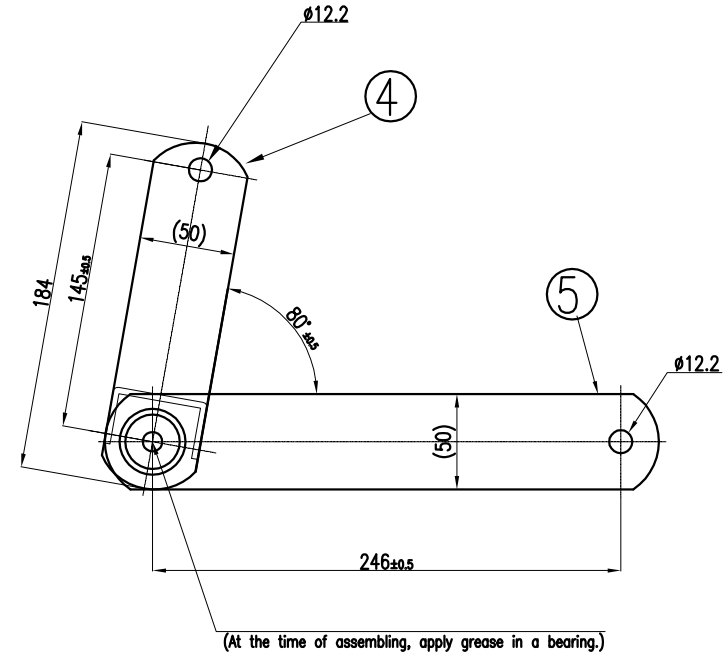
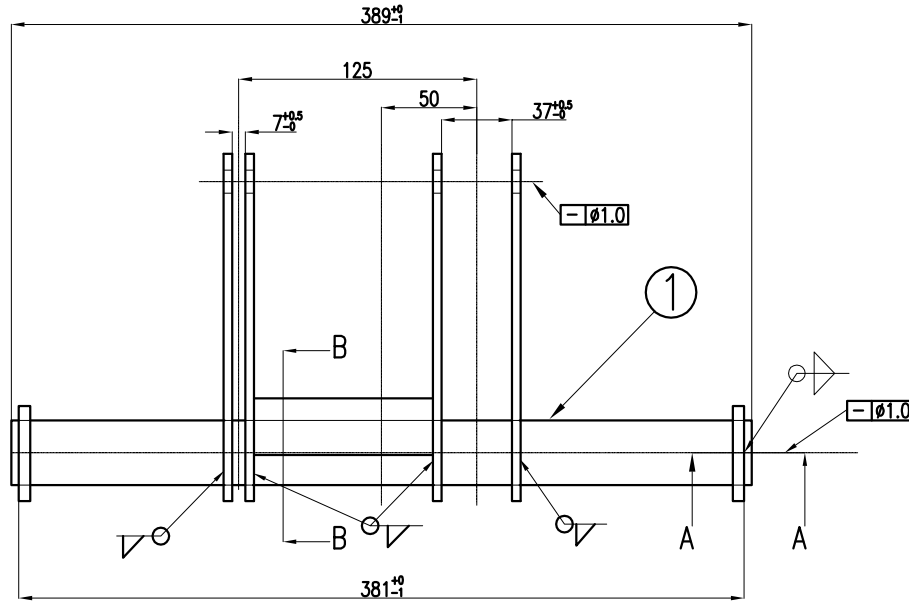
A-A (1/1)



NO	DATE	REMARKS	DRAWN	CHECKED	APPROVED	REVISED BY

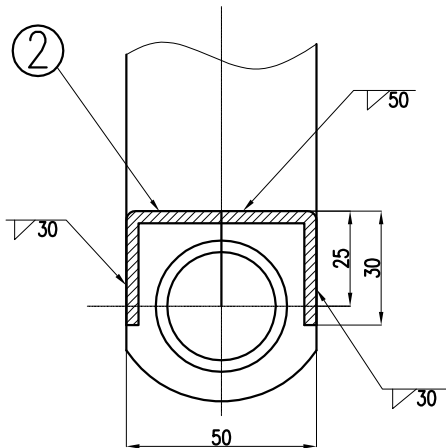
Standard Application :				Specification :		MODEL :		Unit :		Paper :		Scale :		Projection :		Drawing Name :	
-				-		MULTY BED		mm		A4		1:X				LOWER FRAME COMPL. (TOTAL LOCK)	
Drawn :		Designed/Customer :		Checked :		Approved :		Status :		Effective Date :		Page :		Product Name :			
[I/A/M]		CIM		Katmo L		M. Rosyidin		<input checked="" type="checkbox"/> PREPARATION DRAWING <input type="checkbox"/> PRODUCTION DRAWING		07-07-2023		19		PT.Chitose Internasional Tbk. Research & Development Dept.			
										25-10-2023				CB-3300 PLUS			

NO	CODE	COMPONENT	QTY	UNIT	COMPONENT SPESIFICATION
1	H-002021	Torque Tube	1	pcs	Pp. $\phi 34$ x t 2.6 x 389 STKM 11A
2	H-002022	Reinforcement	1	pcs	Pl.t 3.2 x 94 x (98) SPHC
3	K-006009	Bearing	2	pcs	$\phi 28.4$ x (L)10
4	K-100002	Arm TIMOTION MOTOR	4	pcs	Pl.t 4.5 x 50 x 190 184 SPHC
5	K-100033	Arm	2	pcs	Pl.t 6.0 x 50 x 291 SPHC

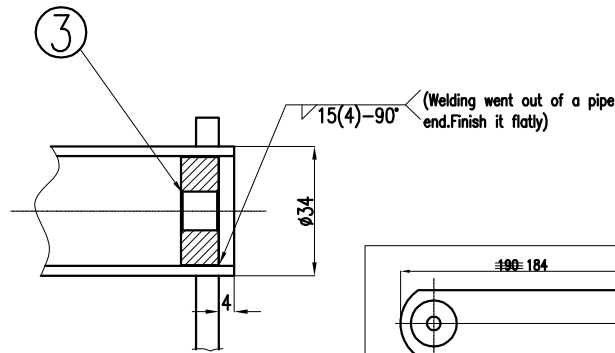


<Note>

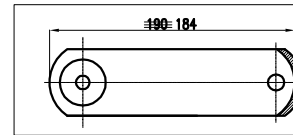
1. Burry and spatter and projection and out of welding to the backside shall be 0.5mm or less.
2. The details by a meeting. Submit a sample for approval if necessary.



B-B(1/2)



A-A(1/2)



Komponen No. 4 dikurangi 6mm untuk penggunaan motor Timotion

NO	DATE	REMARKS	DRAWN	CHECKED	APPROVED	REVISED BY
-	-	-	-	-	-	-

Standard Application :				Specification :		Finishing :		Unit :		Paper :		Scale :		Projection :		Drawing Name :	
								mm		A4		1:X				HI-LO TORQUE TUBE H COMPL.	
Drawn :		Designed/Customer :		Checked :		Approved :		Status :		Effective Date :		Page :		PT.Chitose Internasional Tbk.			
[I/A/N]		CIM		M.Rosyidin		M.Rosyidin		<input checked="" type="checkbox"/> PREPARATION DRAWING <input type="checkbox"/> PRODUCTION DRAWING		11-02-2023		20		Research & Development Dept.			
										Plote Date :		XX-XX-XXXX		Product Name : CB-3012/3003/3300 PLUS			