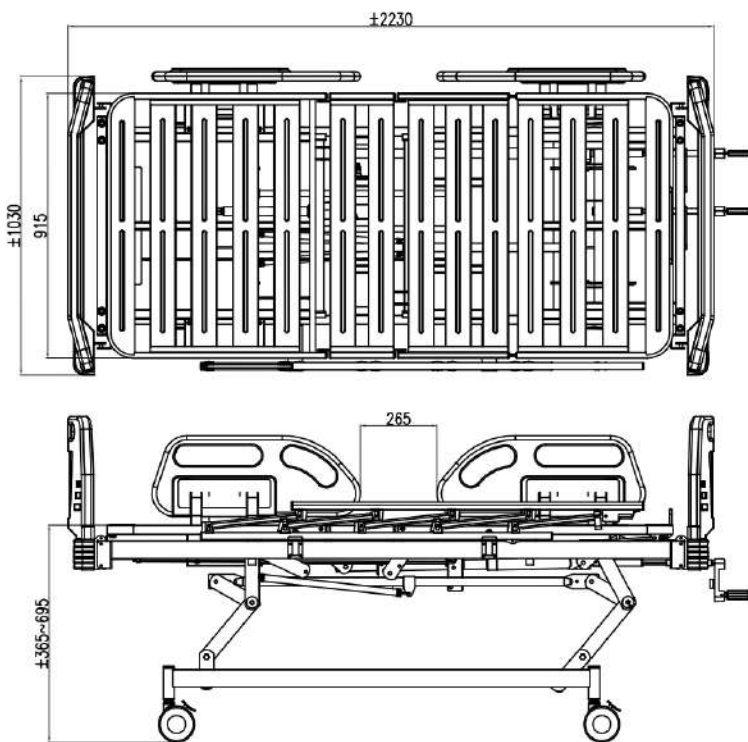


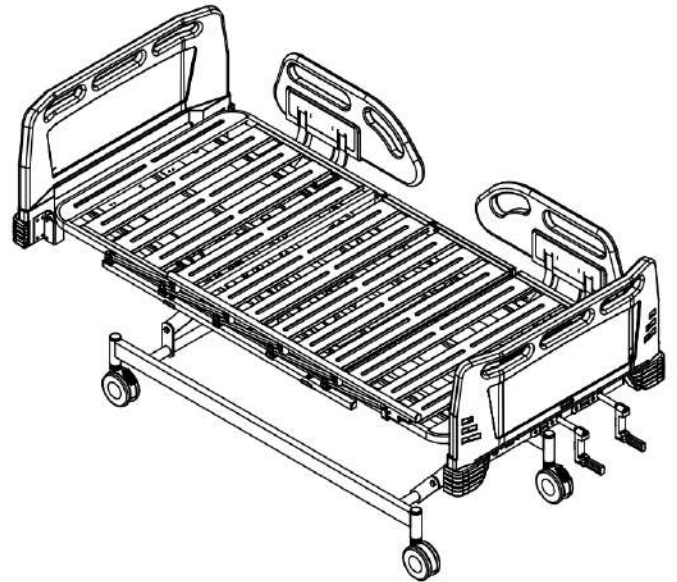
# **CB-3012 PLUS**

## **GTKP**

Gambar Teknik  
Komponen Produk

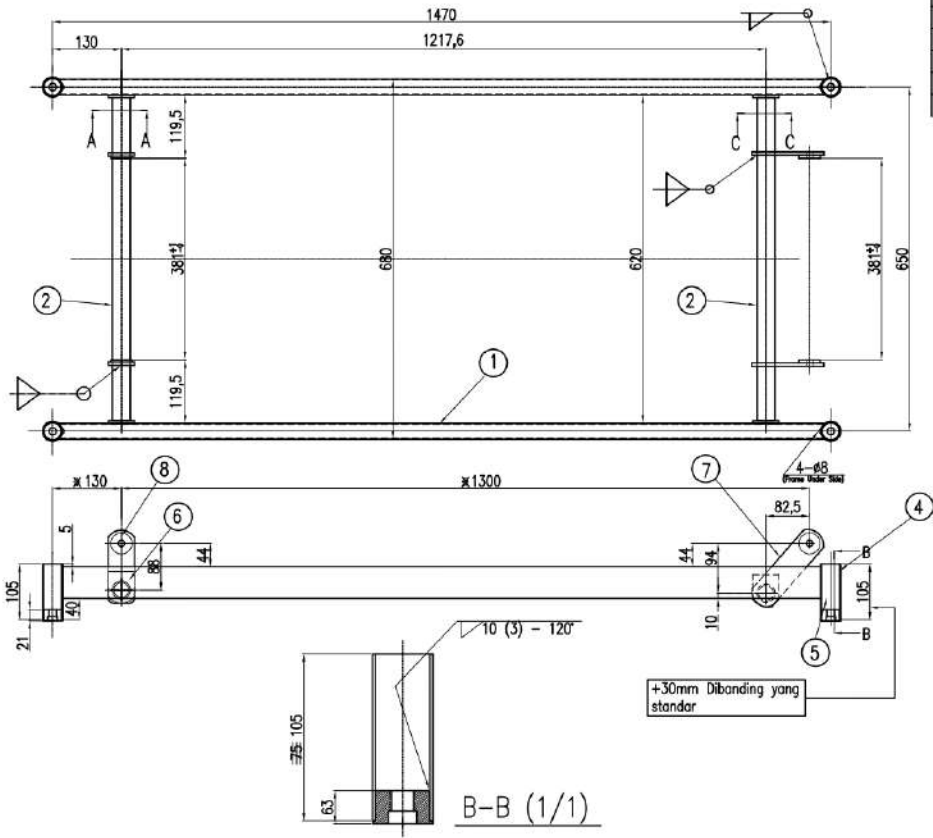


3012 PLUS	✓
3003 PLUS	
3300 PLUS	

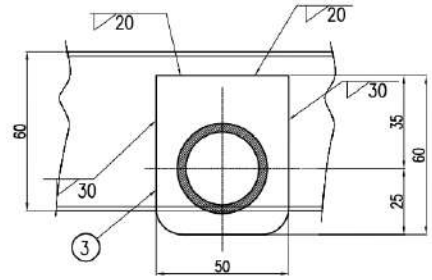


△						
△						
△						
NO	DATE	REMARKS	DRAWN	CHECKED	APPROVED	REVISED BY

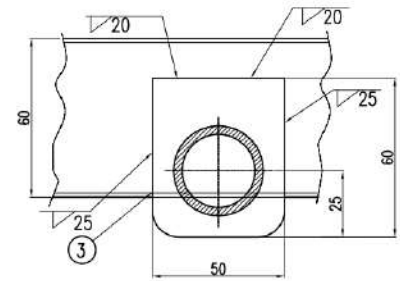
Standard Application :				Specification :	Finishing :	Unit :	Paper :	Scale :	Projection :	Drawing Name :
				-	-	mm	A4	1:X		<b>DIMENSION</b>
Drawn :	Designed/Customer :	Checked :	Approved :	Status :	Effective Date :	Page :	PT.Chitose Internasional Tbk.		Product Name :	
[V/A/N]	CM	M.Rozylidin	M.Rozylidin	PREPARATION DRAWING ✓ PRODUCTION DRAWING	XX-XX-XXXX	00	Research & Development Dept.		<b>CB 3012 PLUS</b>	



NO	CODE	COMPONENT	QTY	UNIT	COMPONENT SPECIFICATION
1	.	SIDE FRAME	2	PCS	Pl. 60/30 x t 1.8 x 1443 STKR
2	.	CROSS FRAME HEAD & FOOT	2	PCS	#34 x t 2.6 x 611 SIRM11A
3	.	END PLATE	4	PCS	PL t 4.5 x 44 x 57 SPHC
4	.	FOOT PIPE	4	PCS	#38.1 x t 1.6 x #6 105 STKM
5	K-003004	NUT	4	PCS	#38.1 x 21 SS400
6	K-110018	ARM	2	PCS	PL t 6.0 x 50 x 138 SPHC
7	K-110019	ARM	2	PCS	PL t 6.0 x 50 x 175 SPHC
8	K-200003	Ring Plate	4	PCS	PL t 4.5 x #40 SPHC



A-A (1/1)



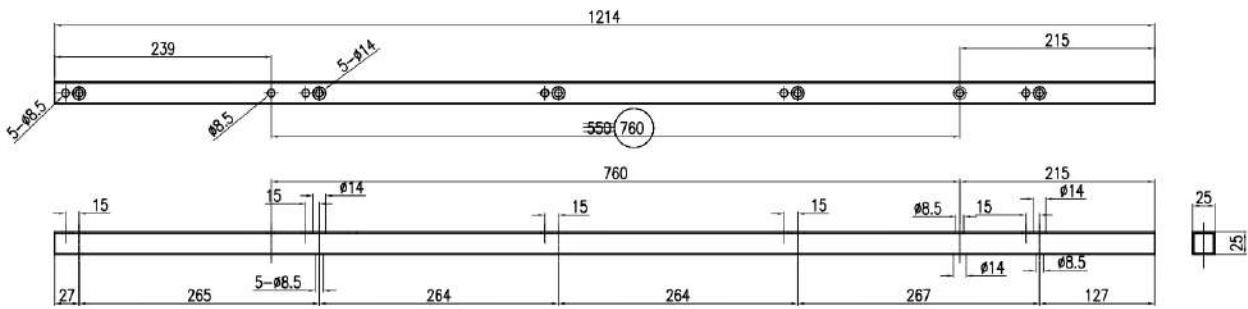
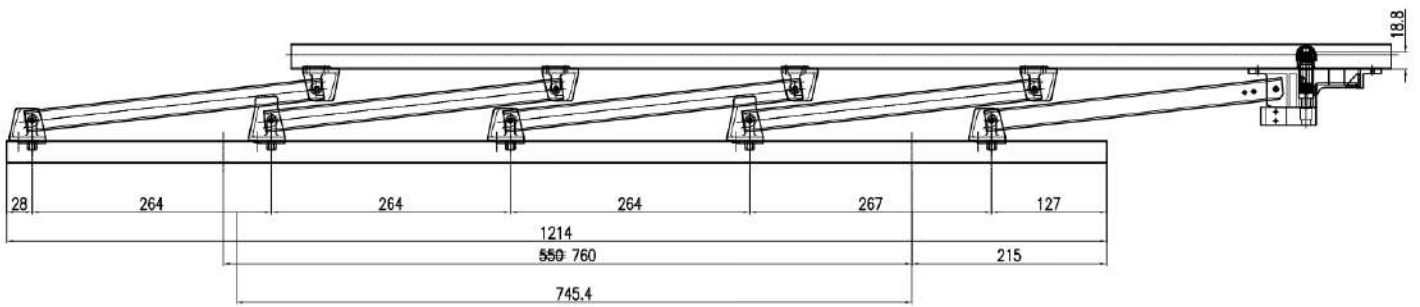
C-C (1/1)

NO	DATE	REMARKS	DRAWN	CHECKED	APPROVED	REVISED BY
△						
△						
△						

Standard Application :	Specification :	MEMO :	Unit :	Paper :	Scale :	Projection :	Drawing Name :
			mm	A4	1:X		<b>LOWER FRAME COMPL. (DOUBLE LOCK)</b>
Drawn :	Designed/Customer :	Checked :	Approved :	Status :	Effective Date :	Page :	Product Name :
[V/A/N]	CM	M.Royadi	Donald KL	<input checked="" type="checkbox"/> PREPARATION DRAWING <input type="checkbox"/> PRODUCTION DRAWING	11-02-2023	17	PT.Chitose Internasional Tbk. Research & Development Dept.
					25-10-2023		<b>CB-3012/3003 PLUS</b>

K:\RND-136\3012\3003\3300\PROJECT\2023\BED KUPU2\MULTY\22\_FSR\_GESER LUBANG UNTUK BED KUPU2.dwg

NO	CODE	COMPONENT	QTY	UNIT	COMPONENT SPECIFICATION
1	-	FSR	1	UNIT	-



NO	DATE	REMARKS	DRAWN	CHECKED	APPROVED	REVISED BY
△						
△						
△						

Standard Application :	Specification :	Finishing :	Unit :	Paper :	Scale :	Projection :	Drawing Name :
	-	-	mm	A4	1:X		FSR
Drawn :	Designed/Customer :	Checked :	Approved :	Status :	Effective Date :	Page :	Product Name :
[V/A/N]	CM	M.Rozylidi	Donald KL	PREPARATION DRAWING PRODUCTION DRAWING	11-02-2023	24	PT.Chitose Internasional Tbk. Research & Development Dept.
					25-10-2023		CB-3012/3003/3300 PLUS