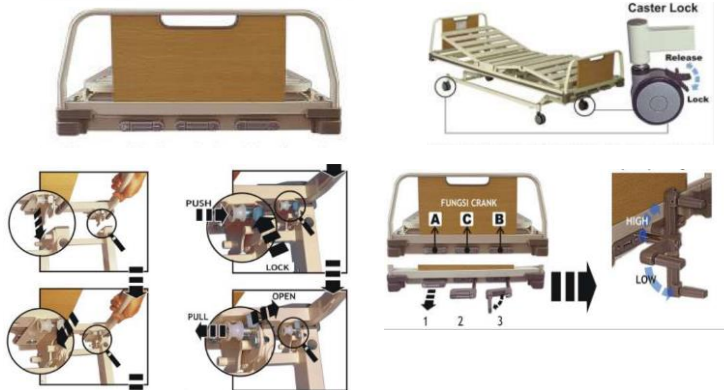
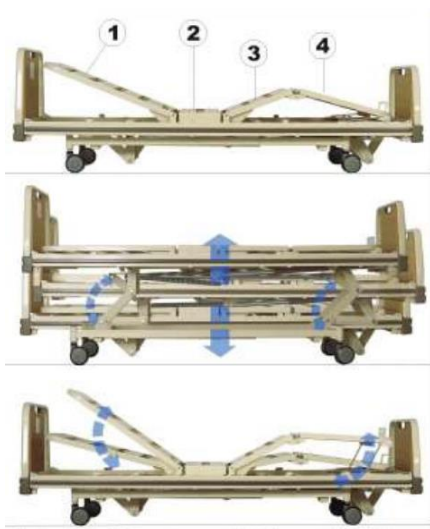


TYPE	USE	INSTALLATION	MAINTENANCE
CB 3003 D	Designed for use as a patient bed in health institutions such as hospitals or for private patient care	There are 3 cranks which have their own functions related to setting the bottom frame position. When the handle is moved clockwise, the crank will rotate and control the iron pipe torque. Move Crank Handle 3 (far right) clockwise, and the Head rest will move, Move Crank Handle 2 (middle) clockwise, and Lower Frame will move up and down, move Crank 1 (far left) Foot Rest will move	1. Beds must be cleaned and disinfected every week and/or before a new patient uses the bed 2. The mattress must be removed from the bed for cleaning
	Functions as a special needs support for people who are sick, disabled, and people with special needs (breastfeeding and the elderly).	Prepare the Side Rail and position it right on the insert provided on the Side Frame. When installing, position the Side Rail in the above position.	After the bed is cleaned wipe all bed surfaces with sodium dichloroisocyanate (NADCC) at a concentration of 1000 parts per million (0.1%) of available chlorine
	The manual operating system works manually using the Crank system, to adjust bed height (High-Low) and in a comfortable sitting position and shock position or heart position (head rest)	Prepare the Head/Foot Board in position (Head at the back (patient's head area) and Foot at the front (patient's foot area)	The crank handle must be checked periodically by turning it left and right and adding grease if it is not normal
	Equipped with other tools such as handrails (fix/loose side-rail & Folding Side rail) on the side of the bed to prevent falls, or Caster (Lock unlock) to facilitate constant movement of the bed	Attach the Bracket hook on the board with the hook on the main frame - After the Head/foot board is installed, make sure the Bracket Lock is locked	Check the smooth installation and removal of side rails
	The bed is used in a position that can be moved because the bed is equipped with castor wheels which function to make it easier to move	The caster lock at the foot of the bed has three positions as shown below: • Caster locks are applied to 2 casters, 1 pc each at the Head and 1 pc at the Foot. • FREE: the four casters are free to move and rotate. '3. The bed is equipped with 2 sets of ¾ long side rails or side rails that can be separated and folded	Perform visual checks on the condition of the castor regularly to ensure the castor is still functioning properly Check the mattress for damage and the possibility of water entering the mattress



Product Dimension	Product Weight
Dimension : L : Total 2230 mm (include HF Board) 1956 mm (Bottom assy Length)	Weight : ± 90KG
W : Total 1030 mm 915 mm (Bottom assy Width)	Load Capacity : ± 400KG (Static) & ± 170KG (Dynamic)
D : 760 ~ 1005 mm (from floor to Head Board) : 327 ~ 667 mm (from floor to Bottom Assy)	Packing Dimension : 2050 mm (L) x 1070 mm (W) x 190 mm (D)