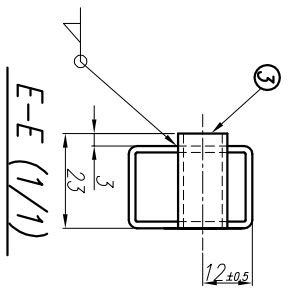
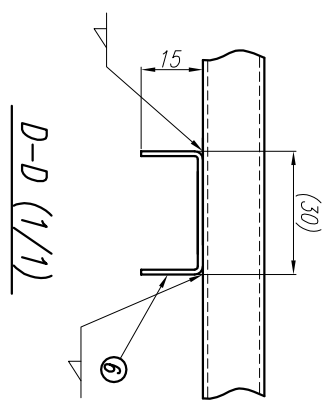
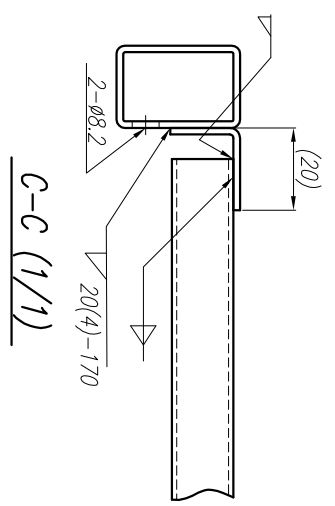
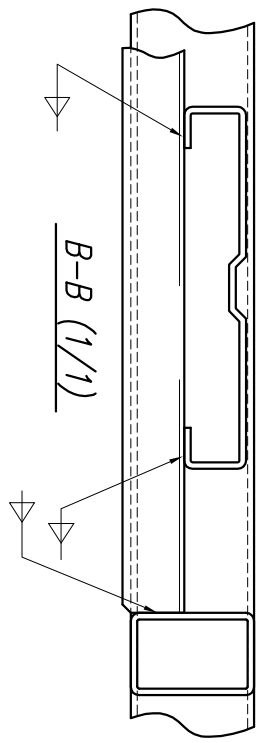
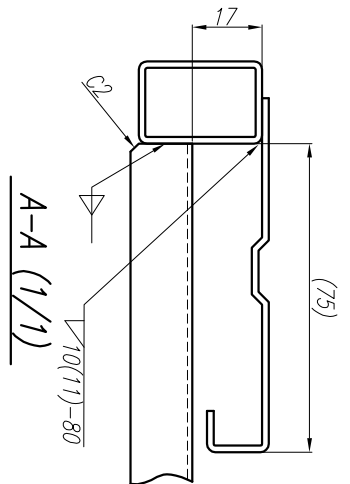
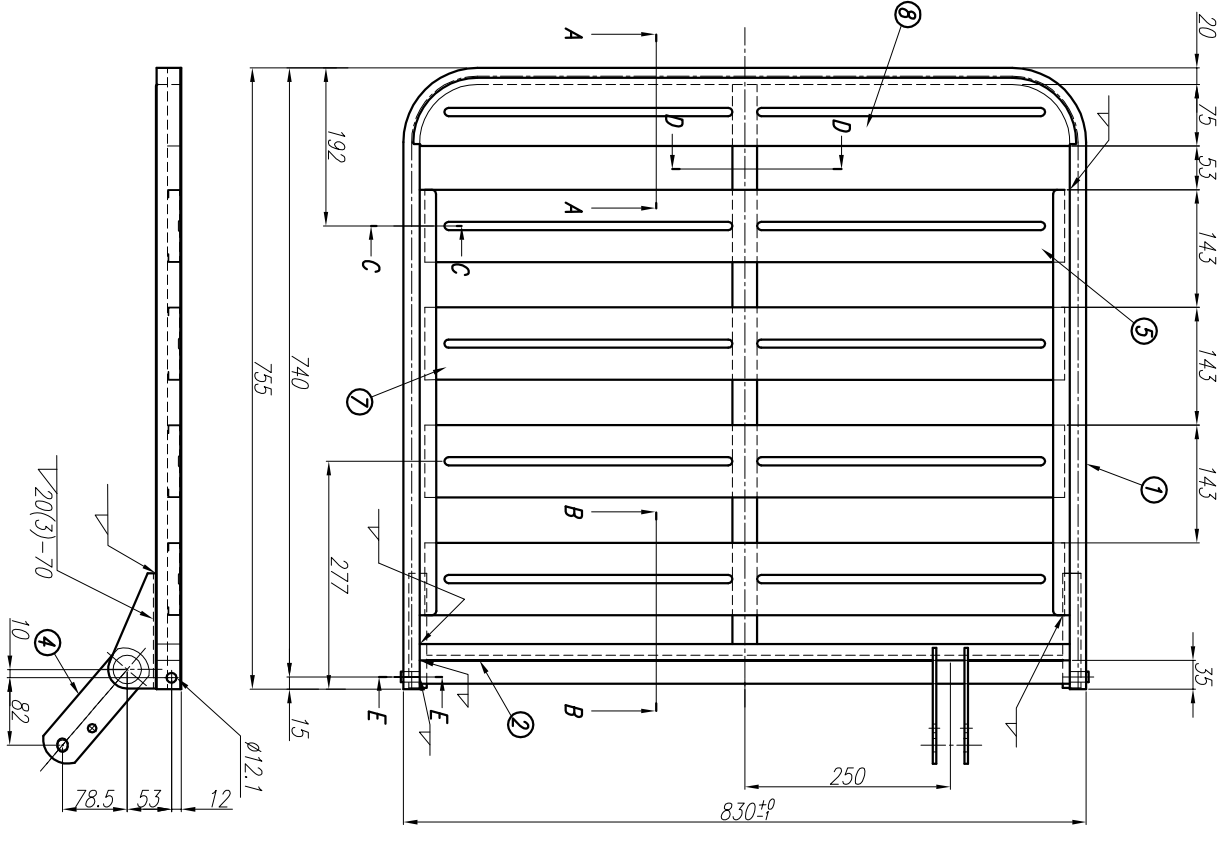


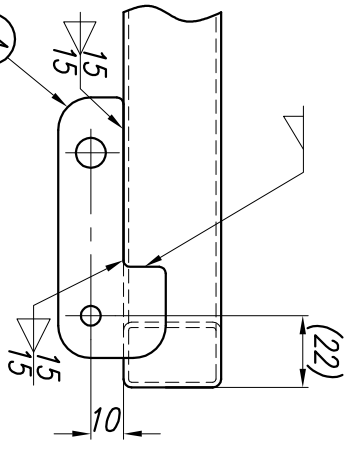
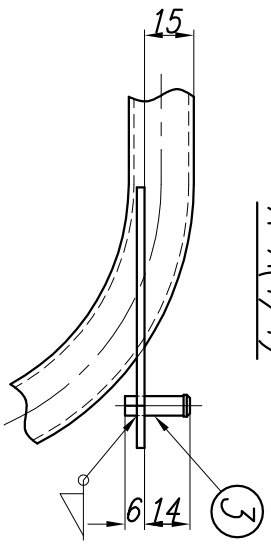
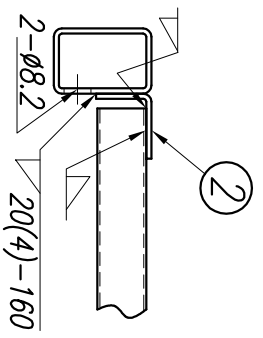
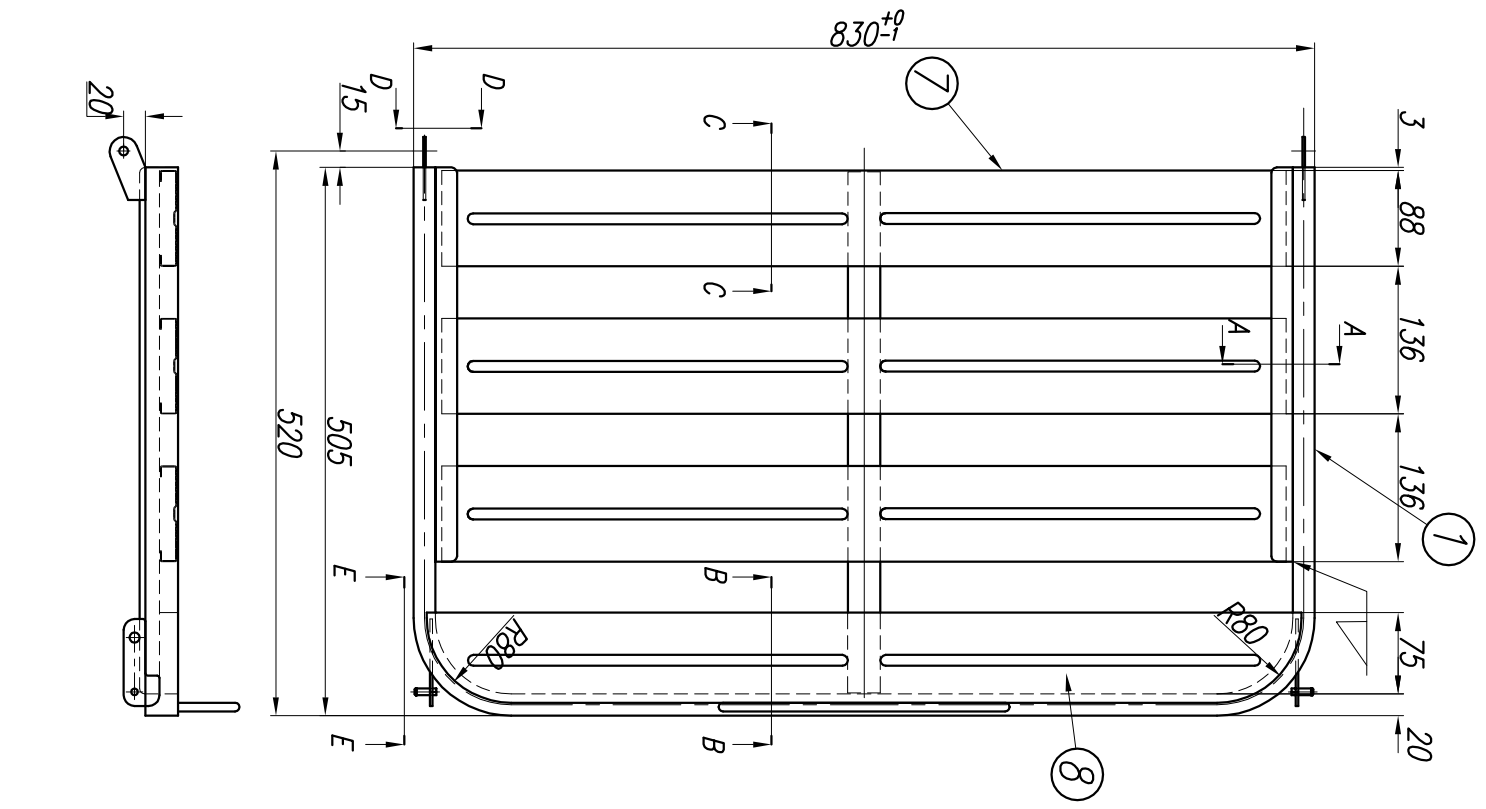
NO.	DATE	REVISION RECORD	DR. NO.	CHECK	DOC. NO.
1	27-12-2005	CAD DOCUMENT			
2					
3					



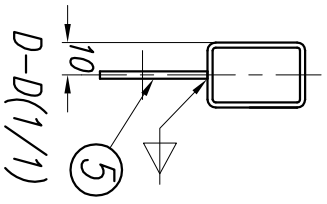
NO.	PART NO.	PART NAME	QTY	UNIT	MATERIAL	SCALE	REMARKS
8	K-202038	Sunoko Plate	1
7	K-202037	Sunoko Plate	44
6	K-202008	Frame	L1	.	.	(L=680)	.
5	E-022401	Angle	K2	.	.	(L=517)	.
4	H-002310	Torque Tube COMPL	1
3	.	Pipe	2	.	STK	Ø12 x 1.6 x 23	.
2	.	Frame	1	.	STR	30 x 20 x 1.6 x 790	.
1	.	Frame	1	.	STR	30 x 20 x 1.6 x 2260	.

MODEL :	M-2000~9000	PART NAME :	BOTTOM (A) COMPL	PART NO. :	J-0020300
ASSY PART NO. :	J-0020000/1	QTY :	1	DESIGNED :	27-12-2005
APPROVED :	RUBY	ALUPU	T. SAKABE	DRAWN :	I d N
CHECK :		EFFECTIVE DATE :	27-12-2005	SURFACE TREATMENT :	Hard Epoxy Resin
SCALE :	1/10	APPL. STD. :	LBF	MASS :	

NO.	DATE	REVISION RECORD	DR. NO.	CHECK	DOC. NO.
1	16-Nov-2006	CAD DOCUMENT			
2					
3					



E-E(1/1)

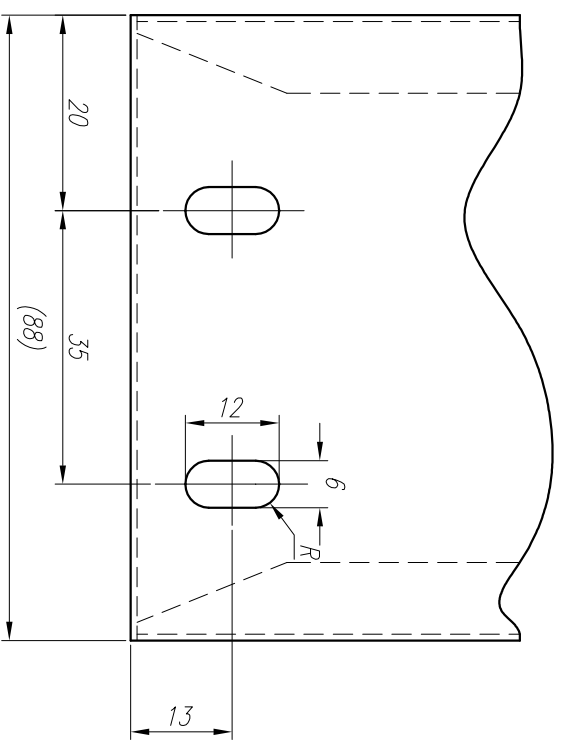
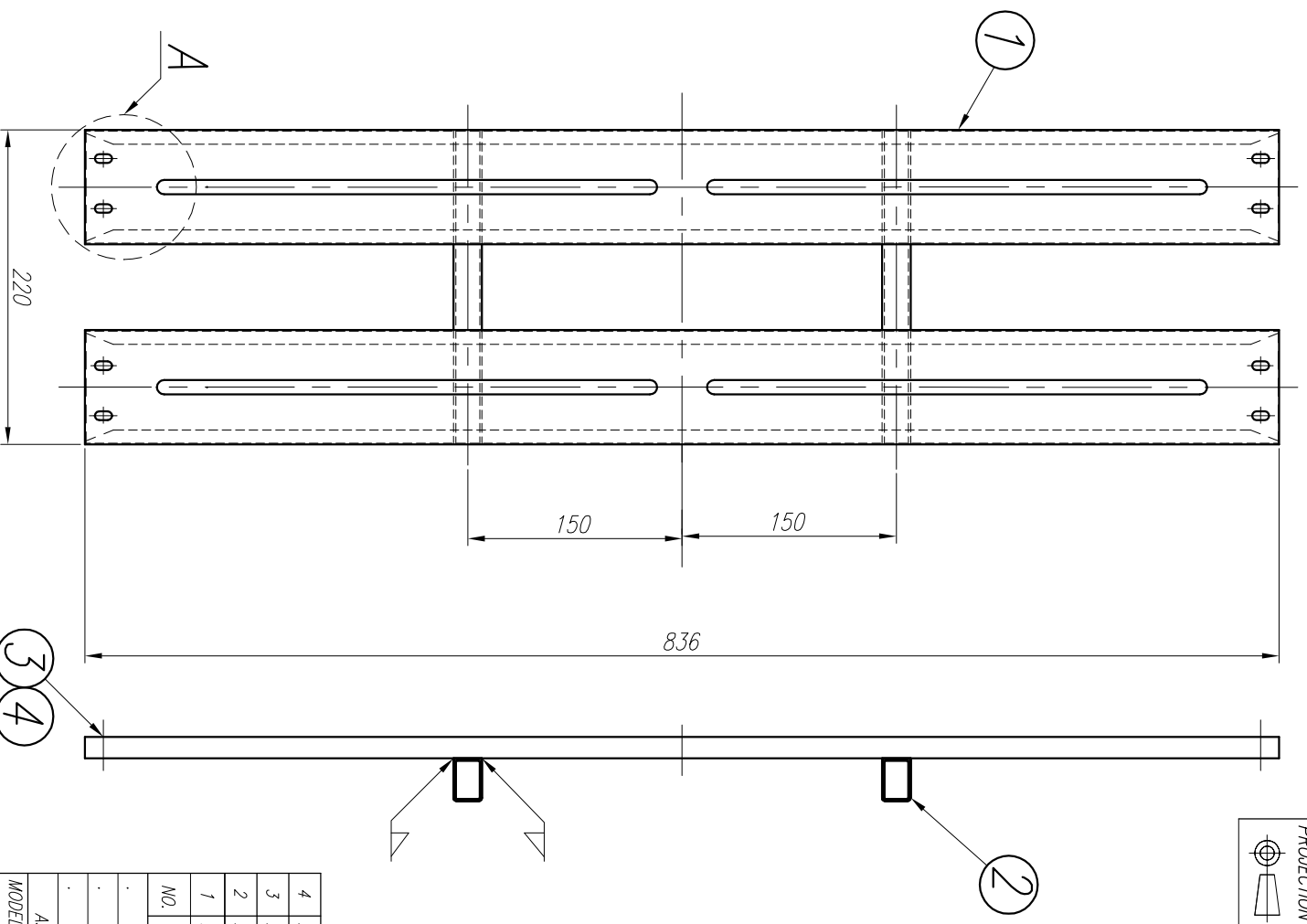


NO.	PART NO.	PART NAME	QTY	LH	RH	MATERIAL	SCALE	APPL. STD.
9	K-301002	Mat Guard	1					
8	K-202038	Sunoko Plate	1					
7	K-202037	Sunoko Plate	A3				(L=480)	
6	K-202008	Frame	H1					
5	K-200007	Hinge Plate	2					
4	K-200006	Roller BKT	2					
3	K-005013	Roller Pin	2				(L=360)	
2	E-022401	Angle	F2					
1		Frame	1			30 x 20 x 1.6 x 1810		

APPL. CHECK :
 EFFECTIVE DATE : 16-Nov-2006
 DESIGNED :
 DRAWN :
 SURFACE TREATMENT :
 SCALE : 1/6
 MASS :
 APPL. STD. :
 LPT

ASSY PART NO. :
 PART NAME : Bottom (c) COMPL
 PART NO. :
 EC: 00
 REV: 02

NO.	DATE	REVISION RECORD	DR. NO.	CHECK	DOC. NO.
1	16-Nov-2006	CAD DOCUMENT			
2					
3					



NO.	PART NO.	PART NAME	QTY	LH	RH	MATERIAL	MATERIAL DIMENSION/ NOTE
4		Sprazgone Nut	8				M5
3		Screw (T.Head)	8				M5 x 15
2		Frame	2			STKR	30 x 20 x t 1.6 x 220
1	K-202019	Sunoko Plate	2				L=836

APPD.	CHECK :	EFFECTIVE DATE :	SURFACE TREATMENT :	SCALE :	MASS :
		16-Nov-2006	Hard Epoxysin Powder	1/5	Lbf
DESIGNED :	DRAWN :	APPL. STD.			
MODEL :	PART NAME :	PART NO.			