

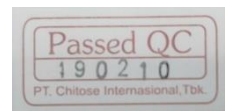
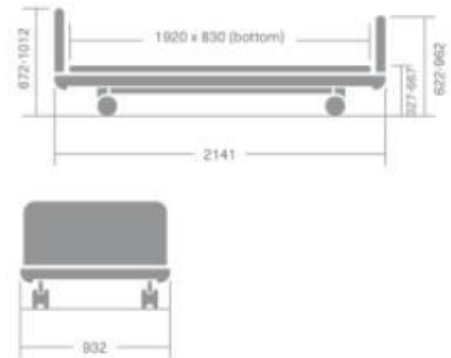
# PENANDAAN CB 3300 D



## PRODUCT SPECIFICATIONS

Operating System	Adjustable Hi-Lo, back raise and foot raise automatic by motor
Weight (kg)	Approx. 90
Accessories	Side Rail (CSR-001, CSR-002, CSR-003) Folding Side Rail (FSR-001)
Frame Finishing	Powder Coating
Lock System	Total Lock System (CB-3300 T) & Double Lock System (CB-3300 D)
Frame Color	Ivory
Frame Material	Steel
Dimension (mm)	Bed (W 932, L 2141, H 672-1012), H/F Board (W 932)

## PRODUCT DIMENSION



- Keterangan :
1. Bahan dasar sticker warna putih
  2. Posisi penempelan pada frame