

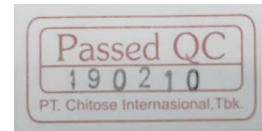
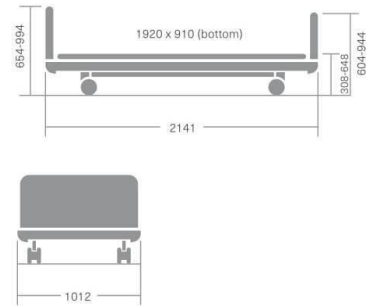
# PENANDAAN CB 7011 D



## PRODUCT SPECIFICATIONS

Operating System	Adjustable Hi-Lo by crank, adjustable back raise with cylinder gas control (CB-7012 DST, CB-7011 DST)
Accessories	Side Rail (CSR-001, CSR-002, CSR-003) & Folding Side Rail (FSR-001)
Lock System	Double Lock System
Weight (kg)	Approx. 90
Frame Finishing	Powder Coating
Frame Color	Ivory
Frame Material	Steel
Dimension W x D x H (mm)	Bed (W 1012, L 2141, H 654-994), H/F Board (W 1012)

## PRODUCT DIMENSION



Keterangan :  
 1. Bahan dasar sticker warna putih  
 2. Posisi penempelan pada frame