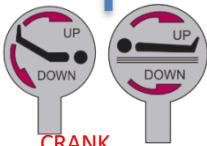
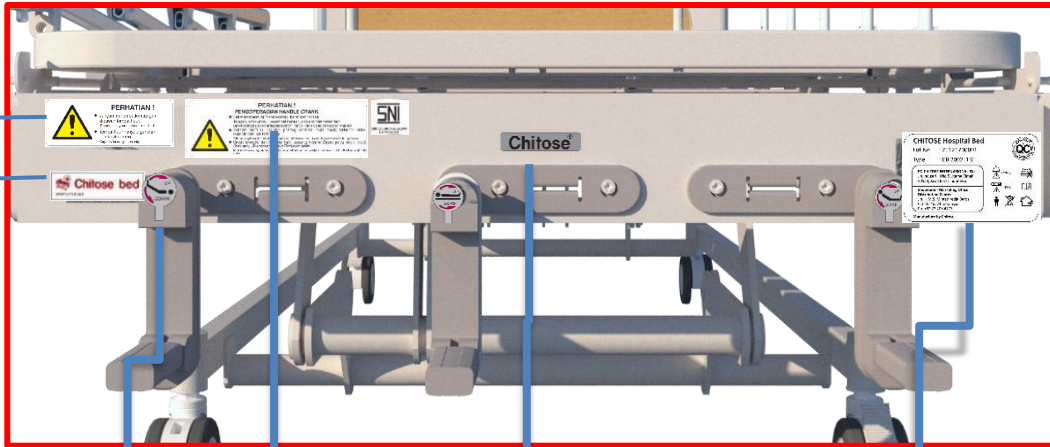


# PENANDAAN CB 2003 D ST



**CRANK LABEL**



**PERHATIAN !**  
**PENGOPERASIAN HANDLE CRANK**

- Sebelum memutar handle crank, harap perhatikan :  
Tangan, Anak-anak, Hewan peliharaan, alat-alat dan bahan lain  
Before turning the crank handle please watch :  
hands, children, pets, other tools or materials.
- Setelah memutar Handle, pasang kembali pada posisi terkunci untuk menghindari jatuh tiba-tiba  
After turning the crank handle, put it back on locked position in order to avoid sudden falling down.
- Untuk menghindari terkena kaki, pasang Handle Crank pada posisi awal (terkunci). Jika terkena, maka Bed akan jatuh  
In order to avoid leg hit, put the crank handle back on first position (locked). If it is hit, the bed might fall down.

**Caution Handle operation**



**IZIN EDAR KEMENKES**

**PERHATIAN !**

- Jangan menempatkan tangan dibawah tempat tidur.  
Do not place your hand under the bed
- Tempat tidur hanya digunakan untuk satu orang.  
Capacity for one person only

**CAUTION LABEL**

**CHITOSE Hospital Bed**

Lot No. : 25121700001  
 Type : CB 2003 D ST

**PT. CHITOSE INTERNASIONAL Tbk**  
 Jln. Industri III No.5 Utama Cimahi  
 40533, Jawa Barat Indonesia

**Showroom- Marketing Office**  
 Distribution Center  
 Jln. H.M.S. Mintadiredja Baros  
 Cimahi 40521 Indonesia  
 Ph. +62 22 206 4777

Manufacture by Chitose

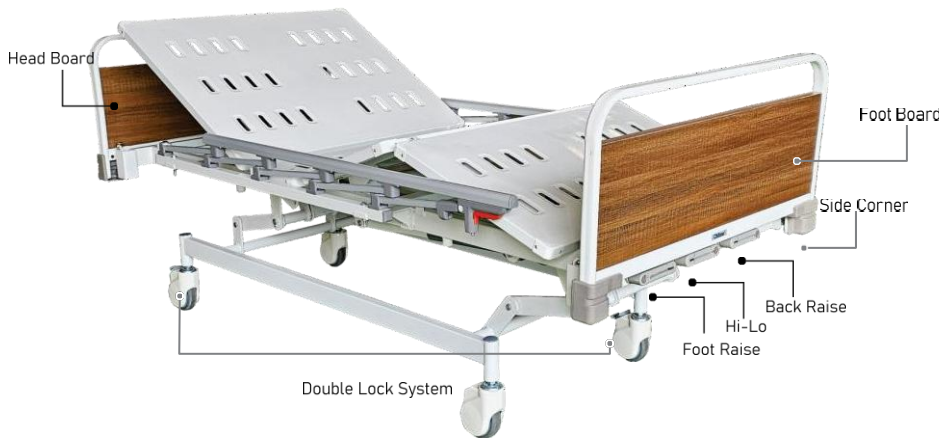
**PASSED by QC**  
 CHITOSE INTERNASIONAL

3 = 250 Kg  
 4   
 5

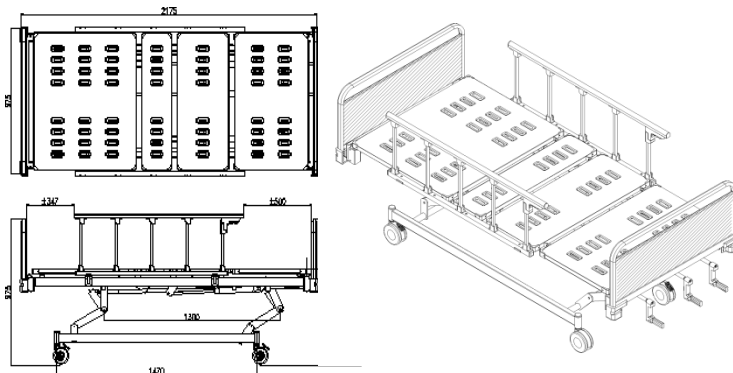
**MANUFACTURE LABEL AND LOT NUMBER**

- 1 Lot Number and Product Type
- 2 Manufacture Information
- 3 Safe Workload Sign and Maksimum Weight Sign
- 4 Use Appropriate mattress Sign See Manual Instruction Sign
- 5 Applied Part Sign, Do not Dispose as Household Waste Sign Indoor Using Only Sign

CB-2003 D ST (MANUAL 3 CRANK)



CB-2003 D ST is a 3 Crank manual hospital bed that meets your need. Suitable with folding side rail and Diagonal/Dual Lock System. **Equipment with 3 manual cranks** as the main mechanism to adjust the height, and head position of the bed, which can be adjusted manually for Patient's maximum comfort.



OPERATING SYSTEM



Adjustable Back Raise



Adjustable Foot Raise



Adjustable High/Low

PRODUCT SPECIFICATION

- Operating System : Adjustable Hi-Lo, Back Raise and Foot raise manual by crank
- Weight (Kg) : Approx. 90
- Accessories : FSR - 001
- Frame Finishing : Powder Coating
- Lock System : Double Lock System
- Frame Color : White
- Frame Material : Steel
- Dimension (mm) : Bed (W 1030, L 2230, H 760-1005)  
H/F Board (W 932)
- Maximum static load : 250 Kg
- Safe Working Load (SWL) : 185 Kg

FEATURES



Cranks



Corner Bumper



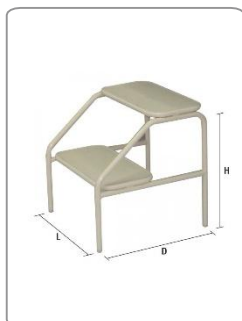
Single Wheel Double Lock System

## CB-2003 D ST (MANUAL 3 CRANK)

### ACCESSORIES



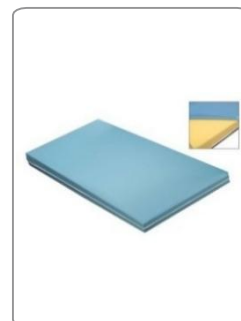
FOLDING SIDE RAIL  
Kode FSR 001



FOOTSTEP  
Kode FS 001



MATRESS LATEX + POLIURETAN  
Kode MT 005L



MATRESS POLYURETHANE  
Kode MT 005U



TIANG INFUS 2 HOOK  
Kode HR 001



TIANG INFUS 4 HOOK  
Kode HR 002