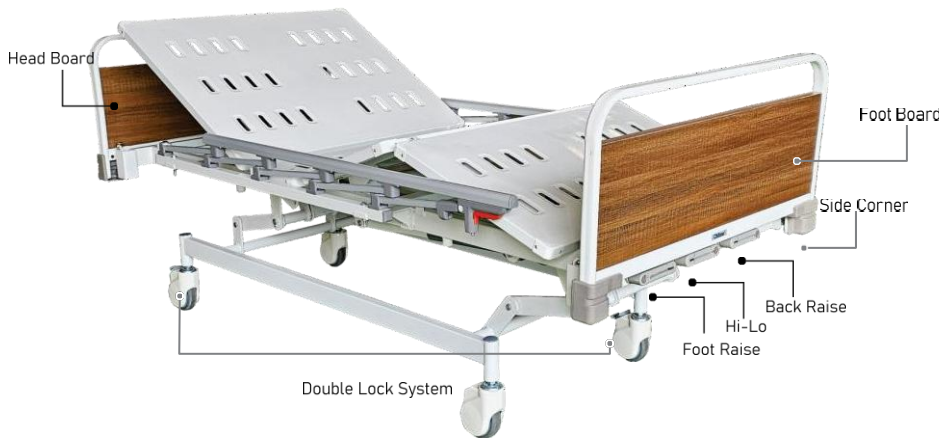


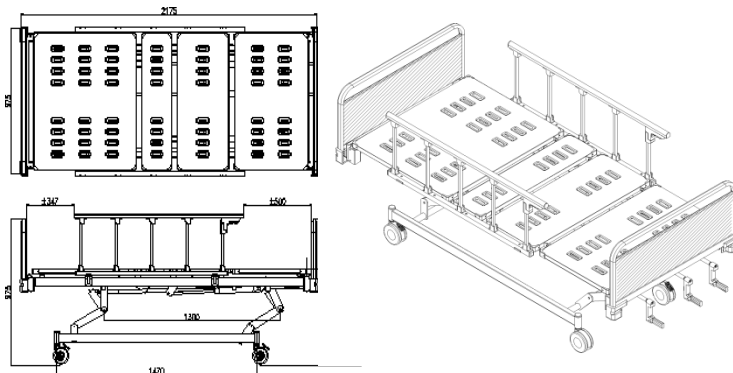
## PETUNJUK PENGGUNAAN, MATERI PELATIHAN, PETUNJUK PEMASANGAN SERTA PEMELIHARAAN CB-2003

NO	TYPE	USAGE	INSTALLATION	MAINTENANCE
1.	CB 2003	Designed to be used as an inpatient hospital bed in medical institutions such as hospitals, community health centers (puskesmas), clinics, etc. It is also used in elderly care facilities such as nursing homes.	To install the H/F Board on the main frame of the Nursing Bed, attach the bracket hook located on the pin stopper, then ensure it is locked with the stopper lock.	<ol style="list-style-type: none"> <li>1. The bed must be cleaned and disinfected weekly and/or before a new patient uses the bed.</li> <li>2. The mattress must be removed from the bed for cleaning.</li> </ol>
		Intended for adult patients and not for infants or children. Use a mattress with the correct size and type according to the manufacturer's recommendations. An incompatible mattress may cause hazards.	The mattress is installed manually by placing it on the bed surface.	After cleaning the bed, wipe all bed surfaces using a sodium dichloroisocyanurate (NADCC) mattress cleaner at a concentration of 1000 parts per million (0.1%), as recommended.
		The bed must not be used by two or more people, as it will exceed the maximum load capacity of the bed.	The CB 2003 series Nursing Bed is built with a steel pipe and steel plate construction, including the lying surface.	<ol style="list-style-type: none"> <li>1. Disconnect the bed from the power source before starting any cleaning or maintenance.</li> <li>2. To prevent contamination, do not allow the power plug or power supply cable to get wet.</li> <li>3. If the handheld device falls onto a hard surface, check the position of its joints.</li> <li>4. Place the handheld device on the siderail using a clip. This will help prevent accidental control operation.</li> </ol>
		This bed is designed with a steel pipe and steel plate construction, including the lying surface, lower surface structure, and accessories. For more ergonomic care, the CB 2003 nursing bed operates manually using a 3-crank manual system controlled by a handheld controller.	The caster lock is applied manually by pressing the lever with your foot.	Check the smooth installation and removal of the siderail.
		The double-lock caster function provides stability and safety when the bed is parked.	<p>The siderail safety guards on the left and right sides are installed according to the available holes. The general steps for siderail installation are as follows:</p> <ul style="list-style-type: none"> <li>• Prepare the siderail and position it correctly on the insert provided on the side frame.</li> <li>• During installation, position the siderail in the upper position.</li> <li>• Install the bolts and washers on the available insert, then tighten using an Allen key (L-wrench) or a Phillips (+) screwdriver until properly secured.</li> <li>• The steps to fold and raise the siderail are as follows:</li> <li>• Pull the siderail lock on the siderail frame. Release the lock and allow the siderail to move down slowly by itself.</li> </ul>	Perform a visual inspection of the casters to ensure they are still functioning properly.
		This bed is designed to be movable because it is equipped with caster wheels to facilitate transportation.		Inspect the mattress for any damage and possible water penetration into the mattress.

CB-2003 D ST (MANUAL 3 CRANK)



CB-2003 D ST is a 3 Crank manual hospital bed that meets your need. Suitable with folding side rail and Diagonal/Dual Lock System. **Equipment with 3 manual cranks** as the main mechanism to adjust the height, and head position of the bed, which can be adjusted manually for Patient's maximum comfort.



OPERATING SYSTEM



Adjustable Back Raise



Adjustable Foot Raise



Adjustable High/Low

PRODUCT SPECIFICATION

- Operating System : Adjustable Hi-Lo, Back Raise and Foot raise manual by crank
- Weight (Kg) : Approx. 90
- Accessories : FSR - 001
- Frame Finishing : Powder Coating
- Lock System : Double Lock System
- Frame Color : White
- Frame Material : Steel
- Dimension (mm) : Bed (W 1030, L 2230, H 760-1005)  
H/F Board (W 932)
- Maximum static load : 250 Kg
- Safe Working Load (SWL) : 185 Kg

FEATURES



Cranks



Corner Bumper



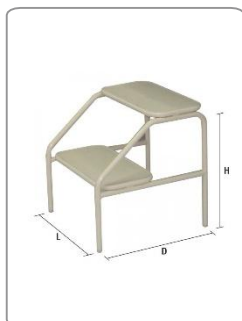
Single Wheel Double Lock System

CB-2003 D ST (MANUAL 3 CRANK)

ACCESSORIES



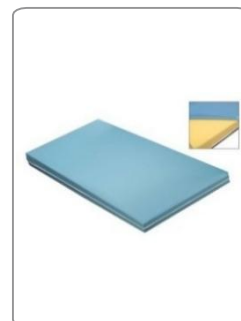
FOLDING SIDE RAIL  
Kode FSR 001



FOOTSTEP  
Kode FS 001



MATRESS LATEX + POLIURETAN  
Kode MT 005L



MATRESS POLYURETHANE  
Kode MT 005U



TIANG INFUS 2 HOOK  
Kode HR 001



TIANG INFUS 4 HOOK  
Kode HR 002