

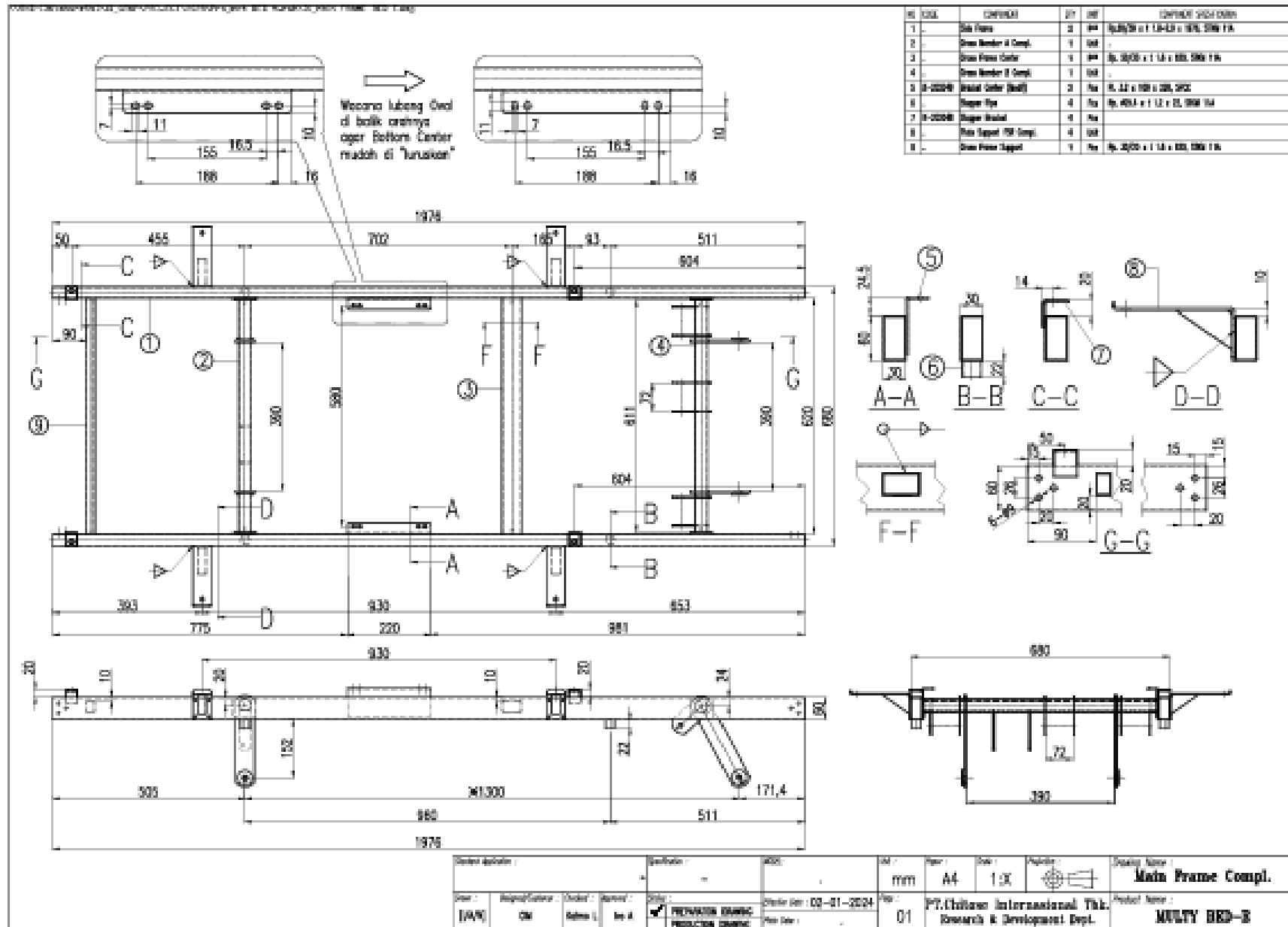
GTKP BED CB - 2003

PERSFEKTIF



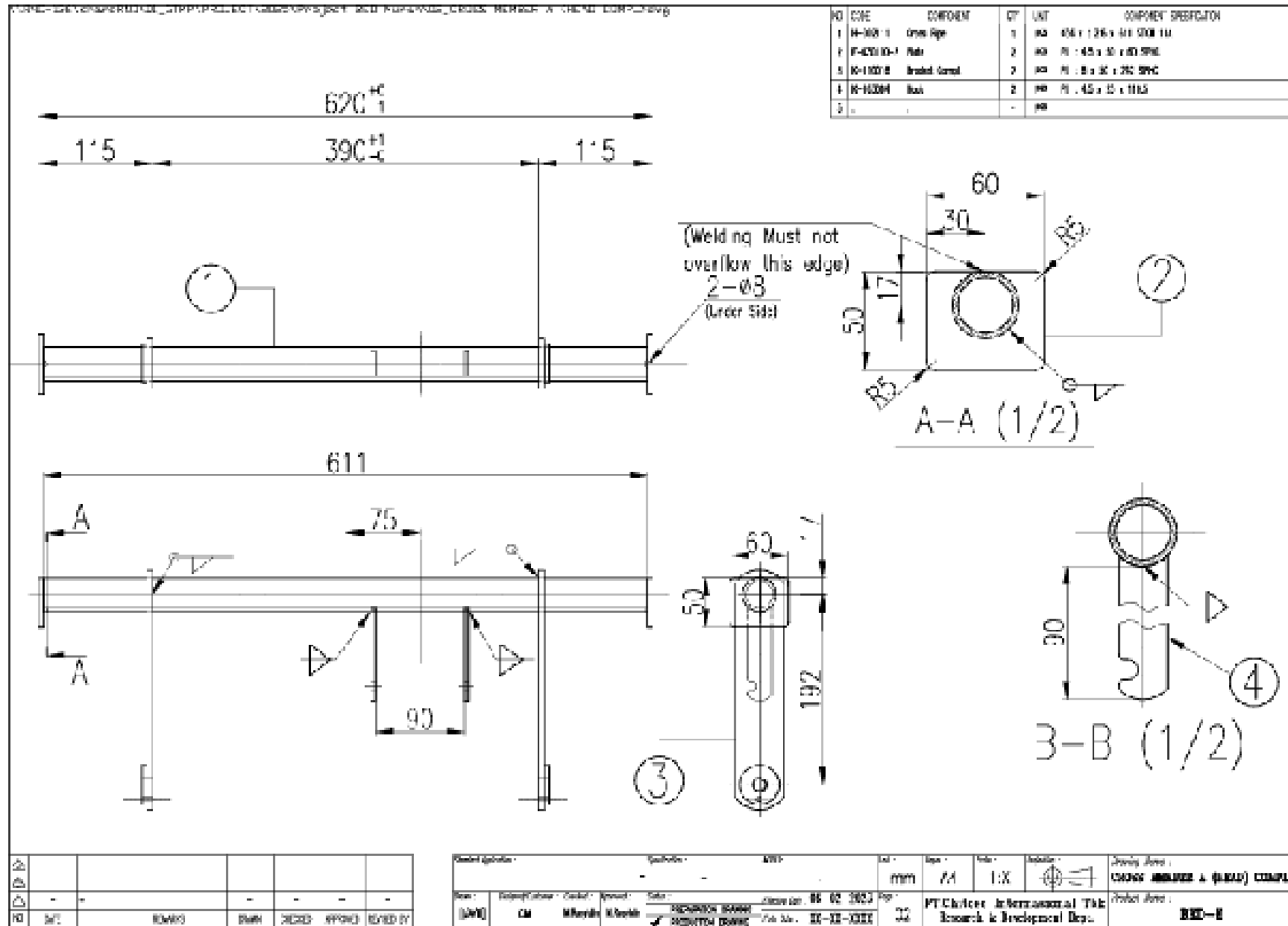
GTKP BED CB - 2003

MAIN FRAME ASSY



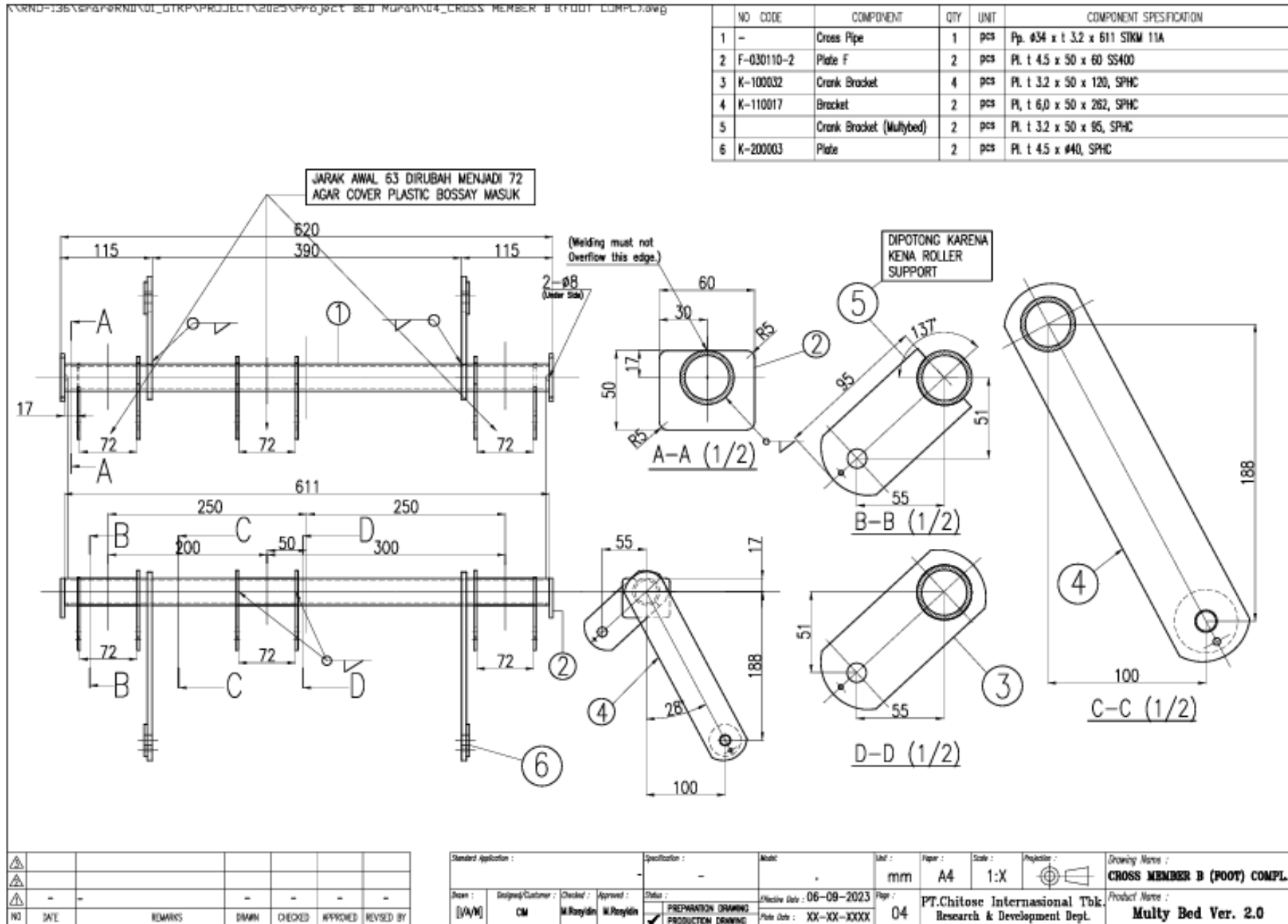
GTKP BED CB - 2003

CROSS MEMBER A COMPL



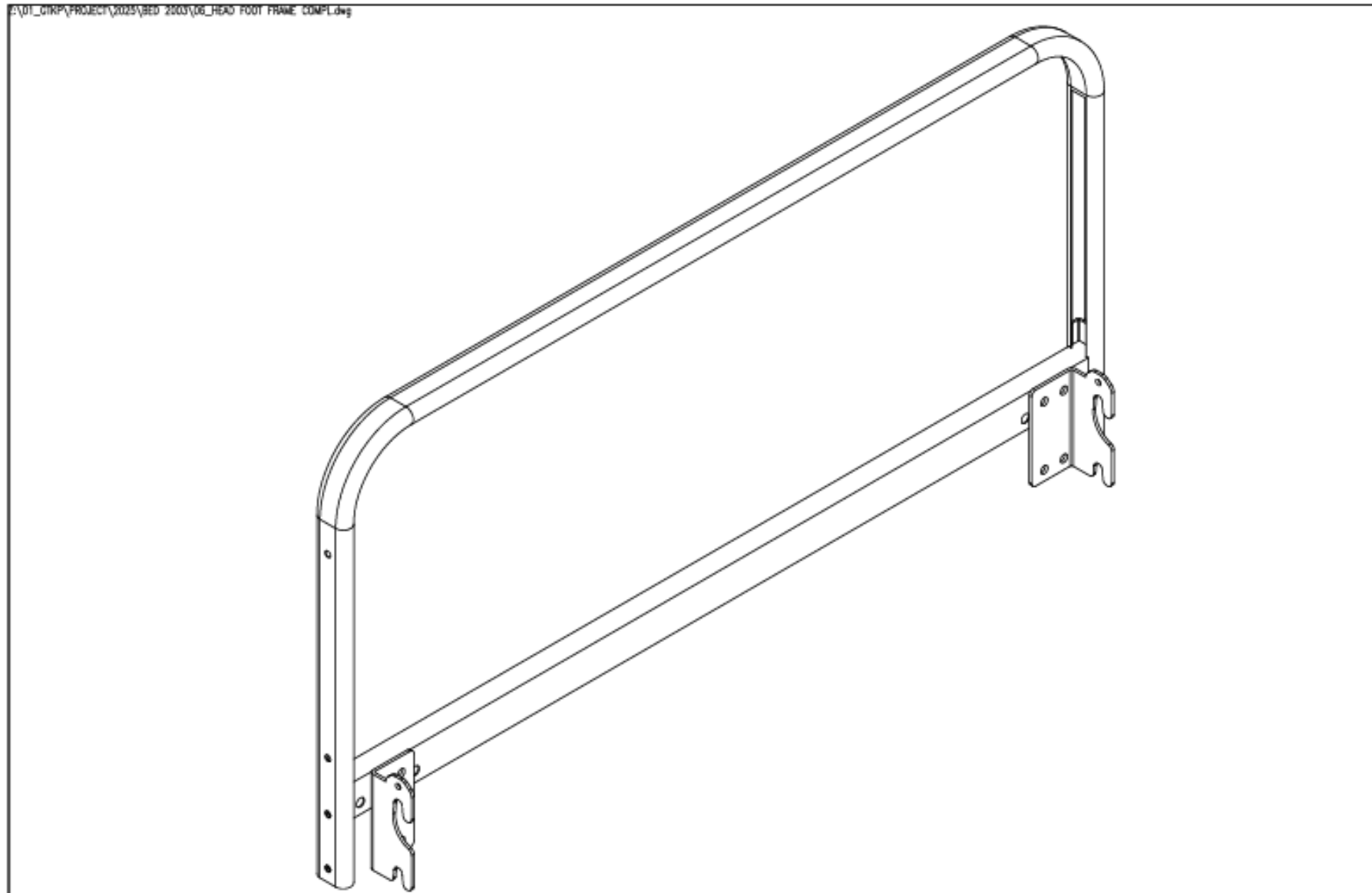
GTKP BED CB - 2003

CROSS MEMBER B COMPL



GTKP BED CB - 2003

HEAD FOOT FRAME COMPL



△						
△	-	-	-	-	-	
NO	DATE	REMARKS	DRAWN	CHECKED	APPROVED	REVISED BY

Standard Application :		Specification :		Finishing :		Unit :	Paper :	Scale :	Symbol :	Drawing Name :
		-		-		mm	A4	1:X		HEAD FRAME COMPL.
Drawn :	Designed/Customer :	Checked :	Approved :	Status :	Effective Date :	Appr :	PT.Chitose Internasional Tbk.		Product Name :	
[V/V]	CM	Katrina L.	Ivo A	PREPARATION DRAWING PRODUCTION DRAWING	19-08-2025	-	Research & Development Dept.		BED 2003/2002/2300	