

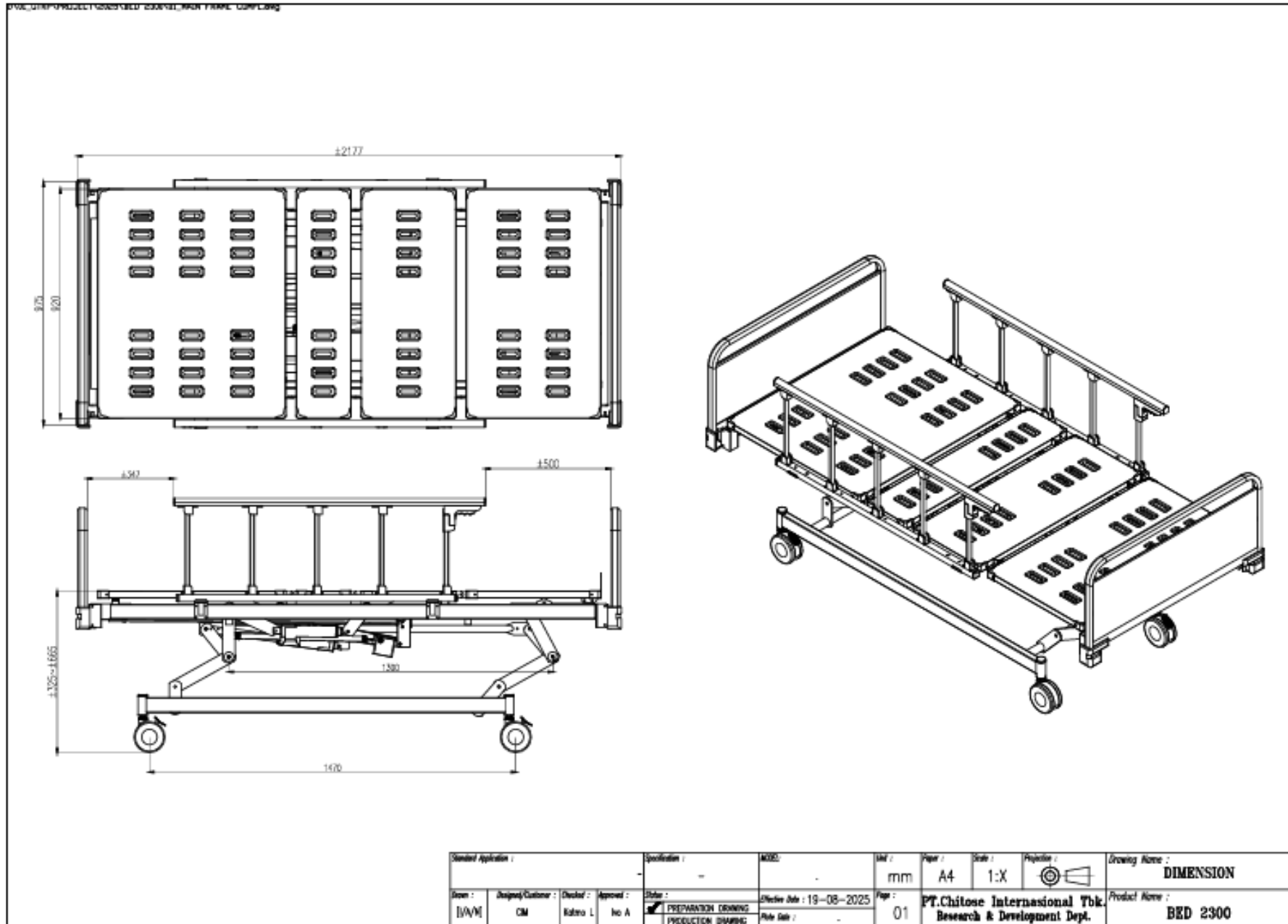
# GTKP BED CB - 2300

PERSFEKTIF



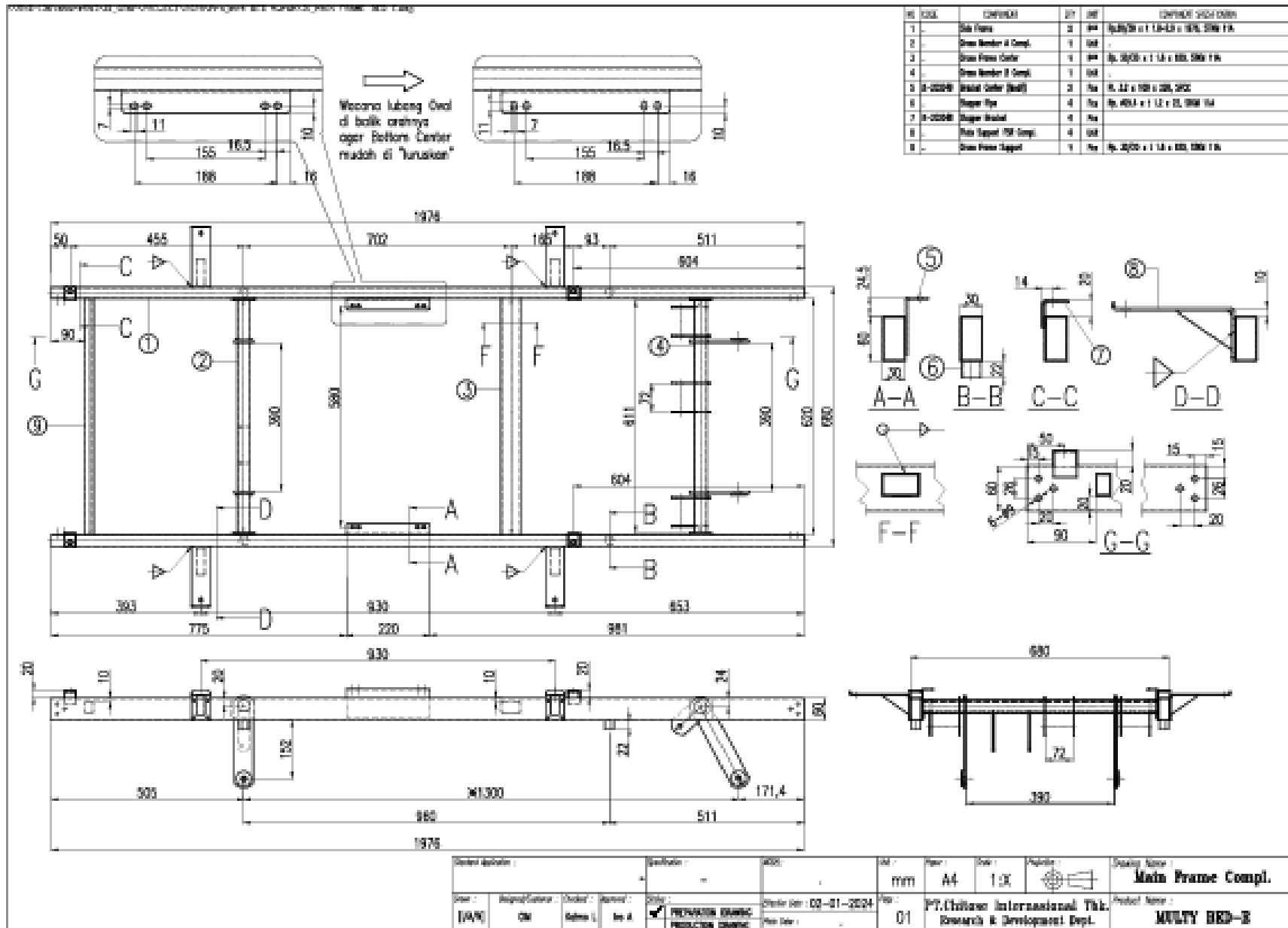
# GTKP BED CB - 2300

## DIMENSION



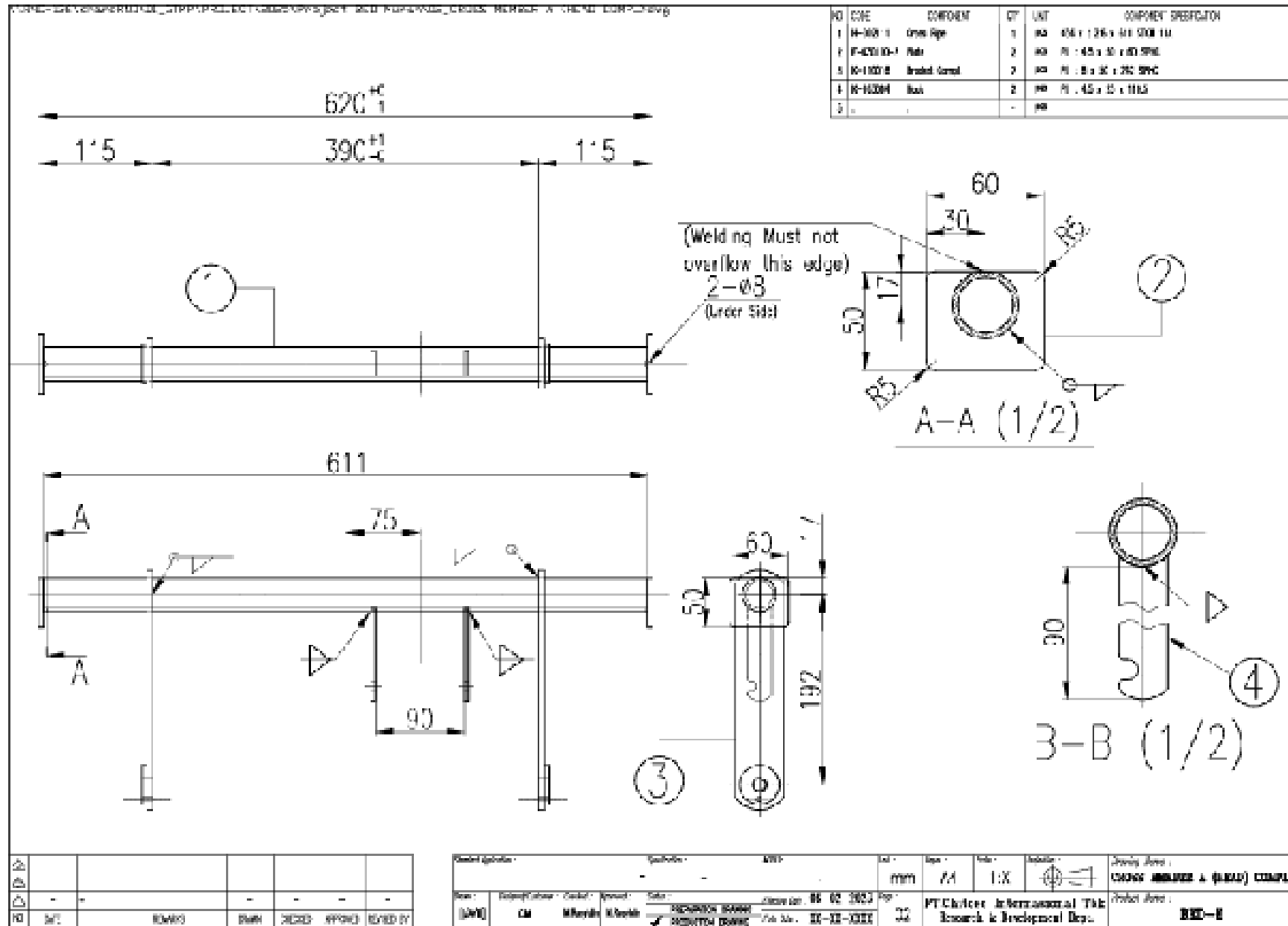
# GTKP BED CB - 2300

## MAIN FRAME ASSY



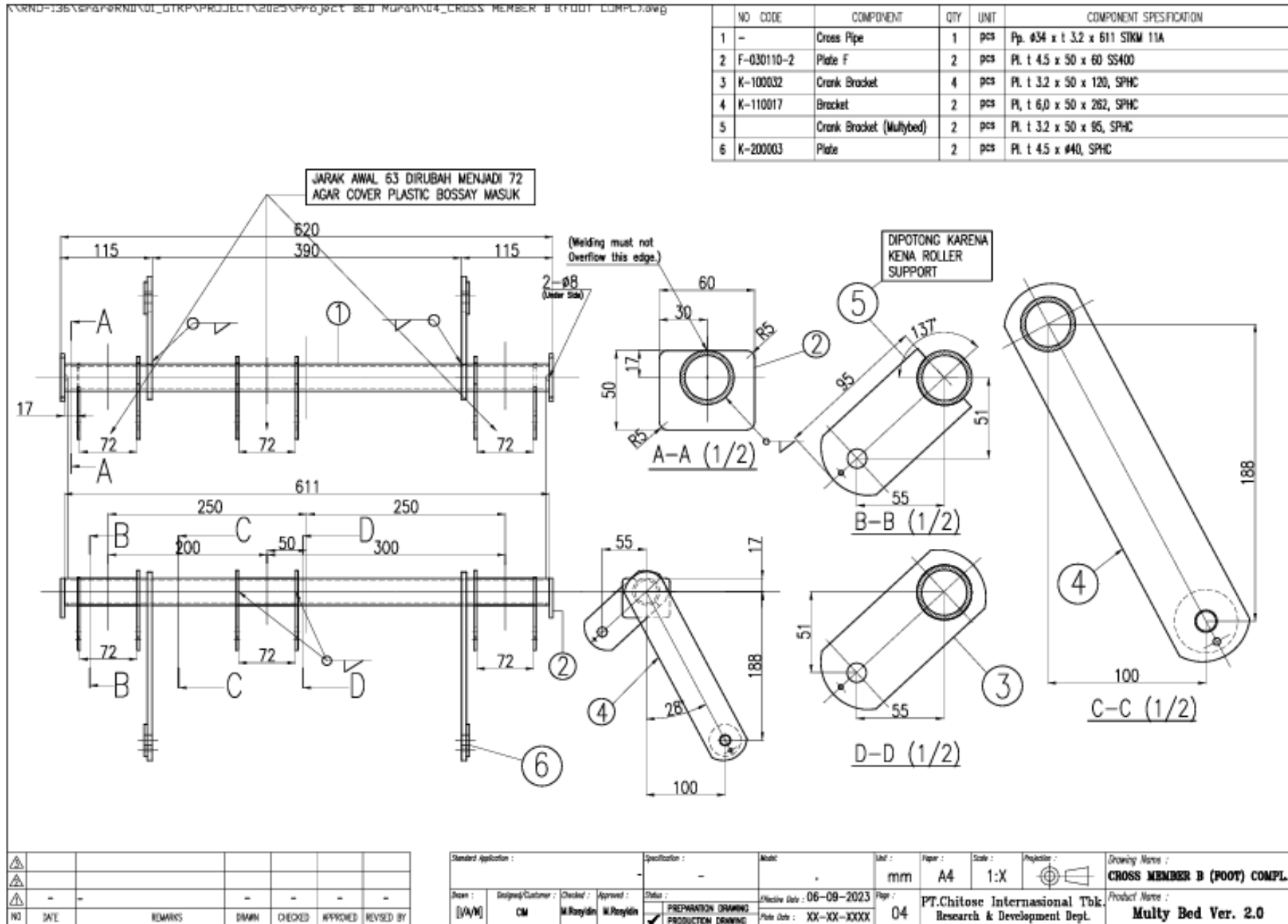
# GTKP BED CB - 2300

## CROSS MEMBER A COMPL



# GTKP BED CB - 2300

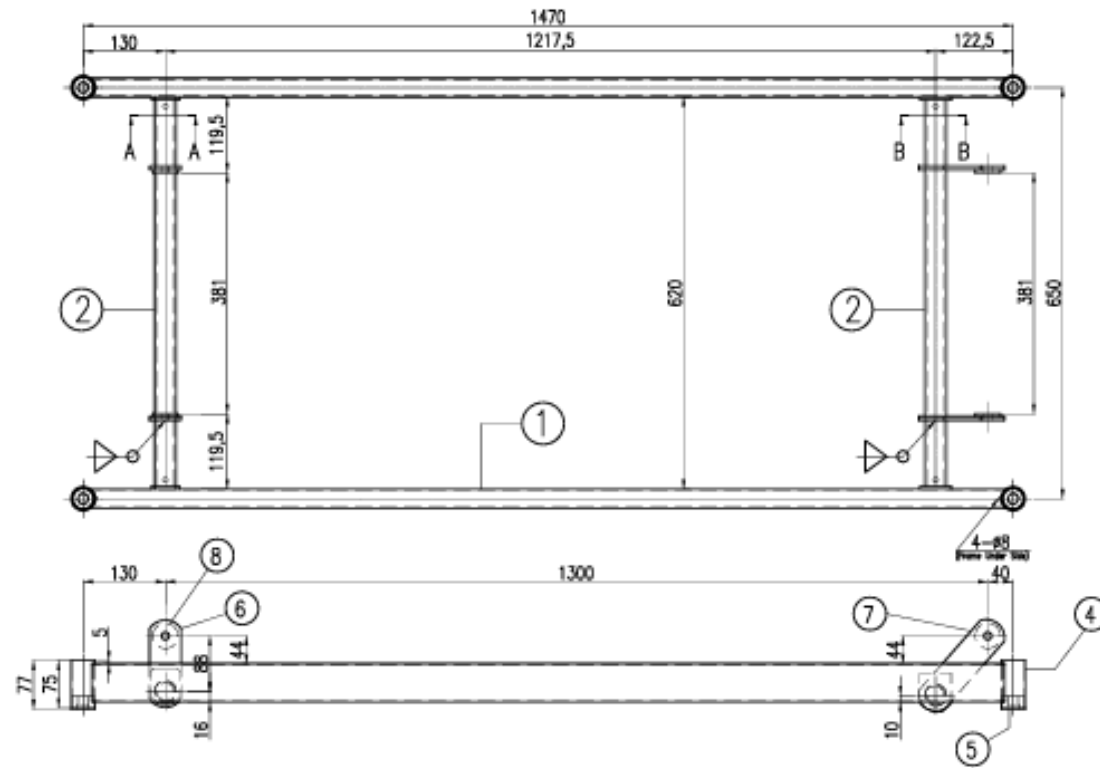
## CROSS MEMBER B COMPL



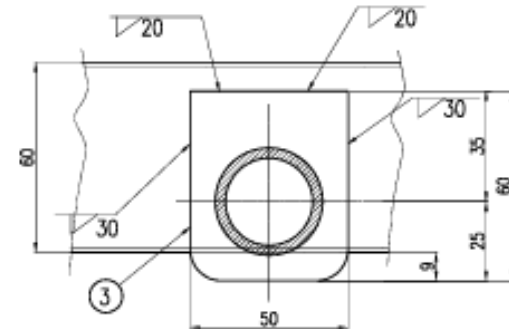
# GTKP BED CB - 2300

## LOWER FRAME COMPL

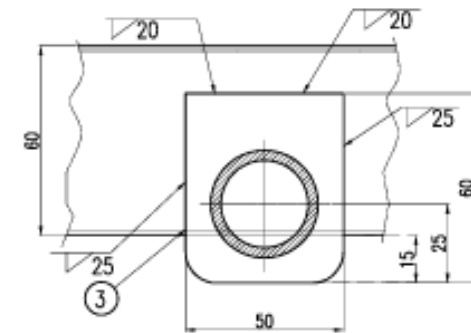
\\SRND-136\SP6\FOR\RD\01\_GTKP\PROJECT\2025\PP6\JCT BED RDP\G116\_LOWER FRAME COMPL DOUBLE LOCK.dwg



NO	CODE	COMPONENT	QTY	UNIT	COMPONENT SPECIFICATION
1	-	SIDE FRAME	2	PCS	Pp. 80/30 x t 1.8 x 1443 STKR
2	-	CROSS FRAME HEAD & FOOT	2	PCS	434 x t 2.6 x 611 STKM1A
3	-	END PLATE	4	PCS	PL t 4.5 x 44 x 57 SPHC
4	-	FOOT PIPE	4	PCS	438.1 x t 1.6 x 75 STKM
5	K-003004	NUT	4	PCS	438.1 x 21 SS400
6	K-110018	ARM	2	PCS	PL t 6.0 x 50 x 138 SPHC
7	K-110019	ARM	2	PCS	PL t 6.0 x 50 x 175 SPHC
8	K-200003	Ring Plate	4	PCS	PL t 4.5 x 440 SPHC



A-A (1/1)



B-B (1/1)

NO	DATE	REMARKS	DRAWN	CHECKED	APPROVED	REVISED BY

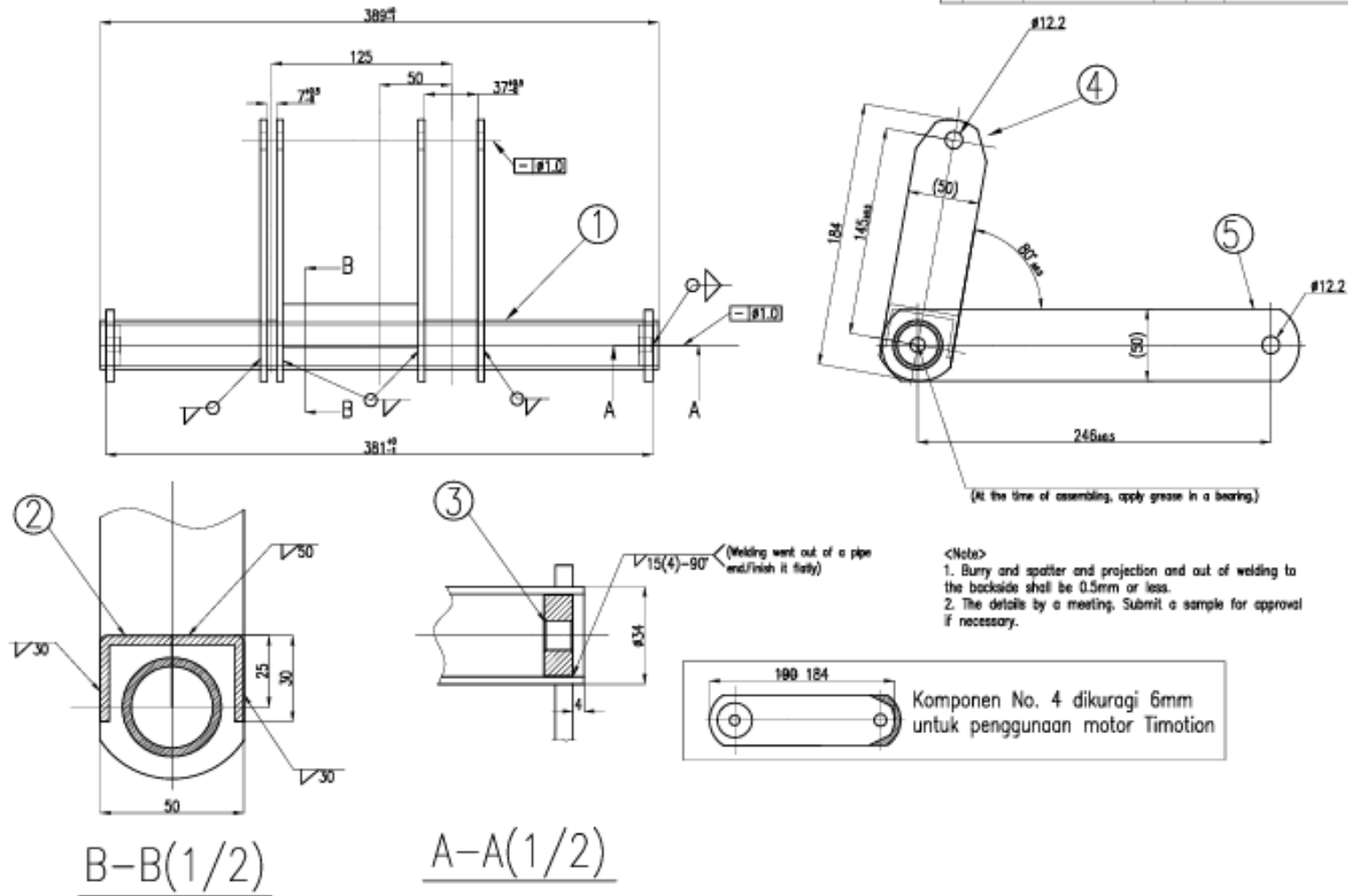
Standard Application :		Specification :		MORL :		Unit :	Paper :	Scale :	Project :	Drawing Name :
mm	A4	1:X				mm	A4	1:X		<b>LOWER FRAME COMPL. (DOUBLE LOCK)</b>
Drawn :	Engg/Customer :	Checked :	Approved :	Date :	Effective Date :	Page :	PT.Chitose Internasional Tbk.		Product Name :	
[JVM]	CM	Kelma L	Is A	PREPARATION DRAWING PRODUCTION DRAWING	11-02-2023	16	Research & Development Dept.		BED-E	
						File Date :				
						23-05-2025				

# GTKP BED CB - 2300

## HI / LO TORQUE TUBE COMPL

\\RND-136\SP&P\SRND\01\_GTKP\PROJECT\2023\VP6\J2C1 BED\_RUP&N\17\_H-002020 HI-LO TORQUE TUBE COMPL.dwg

NO	CODE	COMPONENT	QTY	UNIT	COMPONENT SPECIFICATION
1	H-002001	Target Tube	1	PCS	Pp. 434 x t 2.6 x 389 STKM 11A
2	H-002002	Reinforcement	1	PCS	PLI 3.2 x 94 x (98) SPHC
3	K-005009	Bearing	2	PCS	#28.4 x (1)10
4	K-100002	Arm TIMOTION MOTOR	4	PCS	PLI 4.5 x 50 x 180 184 SPHC
5	K-100003	Arm	2	PCS	PLI 6.0 x 50 x 291 SPHC



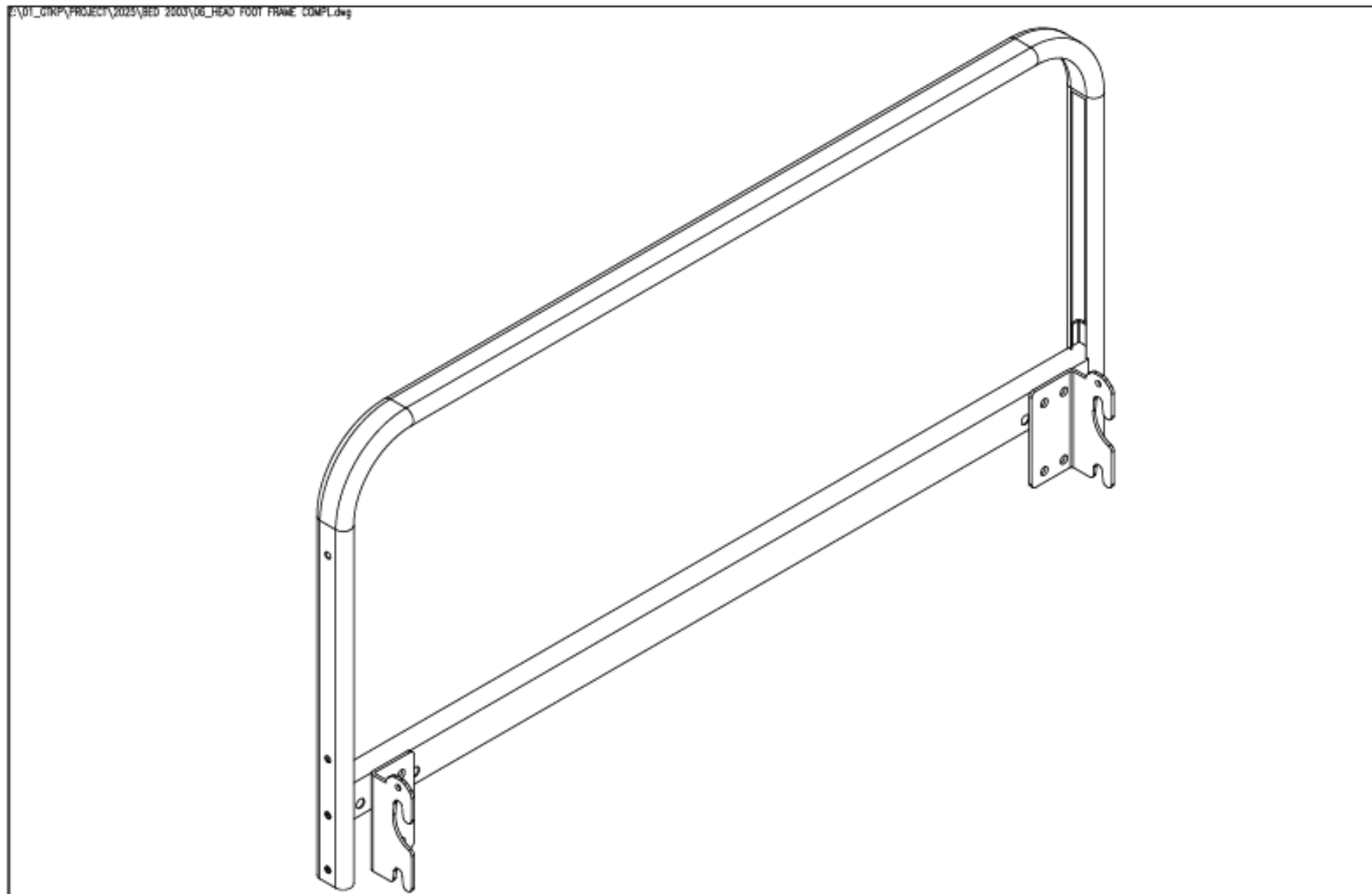
NO	DATE	REMARKS	DRAWN	CHECKED	APPROVED	REVISED BY

Standard Application :		Specification :		Uniting :		Unit :	Paper :	Scale :	Projection :	Drawing Name :
						mm	A4	1:X		HI-LO TORQUE TUBE H COMPL
Drawn :	Designed/ Customer :	Checked :	Approved :	Status :	Effective Date :	Page :	PT.Chitose Internasional Tbk		Product Name :	
[I/A/M]	CM	Kalma L	No A	PREPARATION DRAWING PRODUCTION DRAWING	11-02-2023	17	Research & Development Dept.		MULTYBDD Ver. 2.0	



# GTKP BED CB - 2300

## HEAD FOOT FRAME COMPL



NO	DATE	REMARKS	DRAWN	CHECKED	APPROVED	REVISED BY

Standard Application :		Specification :		Finishing :		Unit :	Paper :	Scale :	Symbol :	Drawing Name :
		-		-		mm	A4	1:X		HEAD FRAME COMPL.
Drawn :	Assign/Customer :	Checked :	Approved :	Status :	Effective Date :	Rev :	PT.Chitose Internasional Tbk.		Product Name :	
[V/V]	GM	Katrina L.	Ivo A	PREPARATION DRAWING PRODUCTION DRAWING	19-08-2025	-	Research & Development Dept.		BED 2003/2002/2300	