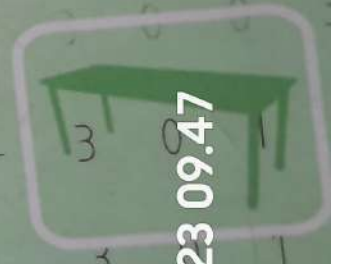


DAFTAR STANDAR KOMPONEN NURSING BED & OTHER PROJECTS

research and development
C B - 3 2 0 0



7 September 2023 09:47

GENERAL INDEX

A BED STANDARD ✓

- CB - 001 WITH PLAPART
Page A 1-1
- CB - 001 WITH CASTER
Page A 2 -1
- CB - 002 WITH PLAPART
Page A 3 -1
- CB - 002 WITH CASTER
Page A 4 -1

B NURSING BED ✓

- CB-135 D *ST*
Page B 1-1
- CB-0733 T
Page B 2 -1

C NURSING BED 3000s [Un-upgradable] ✓

- CB - 3300 D
Page C 1-1
- CB - 3300 DT
Page C 2 -1
- CB - 3003 D
Page C 3 -1
- CB - 3003 DT ✓
Page C 4 -1
- CB - 3012 D
Page C 5 -1
- CB - 3012 DT ✓
Page C 6 -1

- CB - 3011 D
Page C 7 -1
- CB - 3011 DT ✓
Page C 8-1
- CB - 3200 D
Page C 9-1
- CB - 3200 DT ✓
Page C 10-1
- CB - 3201 D
Page C 11-1
- CB - 3201 DT ✓
Page C 12-1

D NURSING BED 3000s [Upgradable] ✓

- CB - 3300 D
Page D 1-1
- CB - 3300 DT
Page D 2 -1
- CB - 3003 D
Page D 3 -1
- CB - 3003 DT
Page D 4 -1
- CB - 3012 D
Page D 5 -1
- CB - 3012 DT
Page D 6 -1

- CB - 3011 D
Page D 7 -1
- CB - 3011 DT
Page D 8-1
- CB - 3200 D
Page D 9-1
- CB - 3200 DT
Page D 10-1
- CB - 3201 D
Page D 11-1
- CB - 3201 DT
Page D 12-1

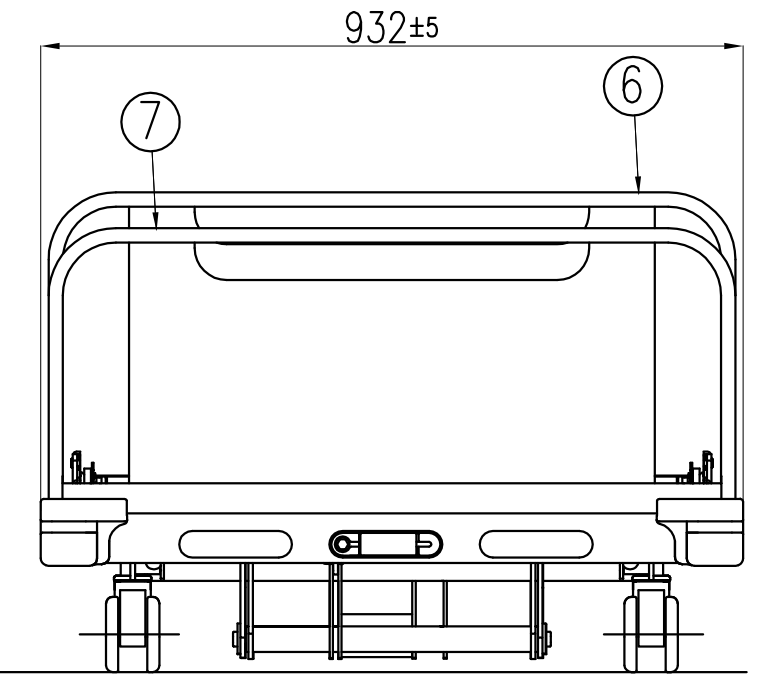
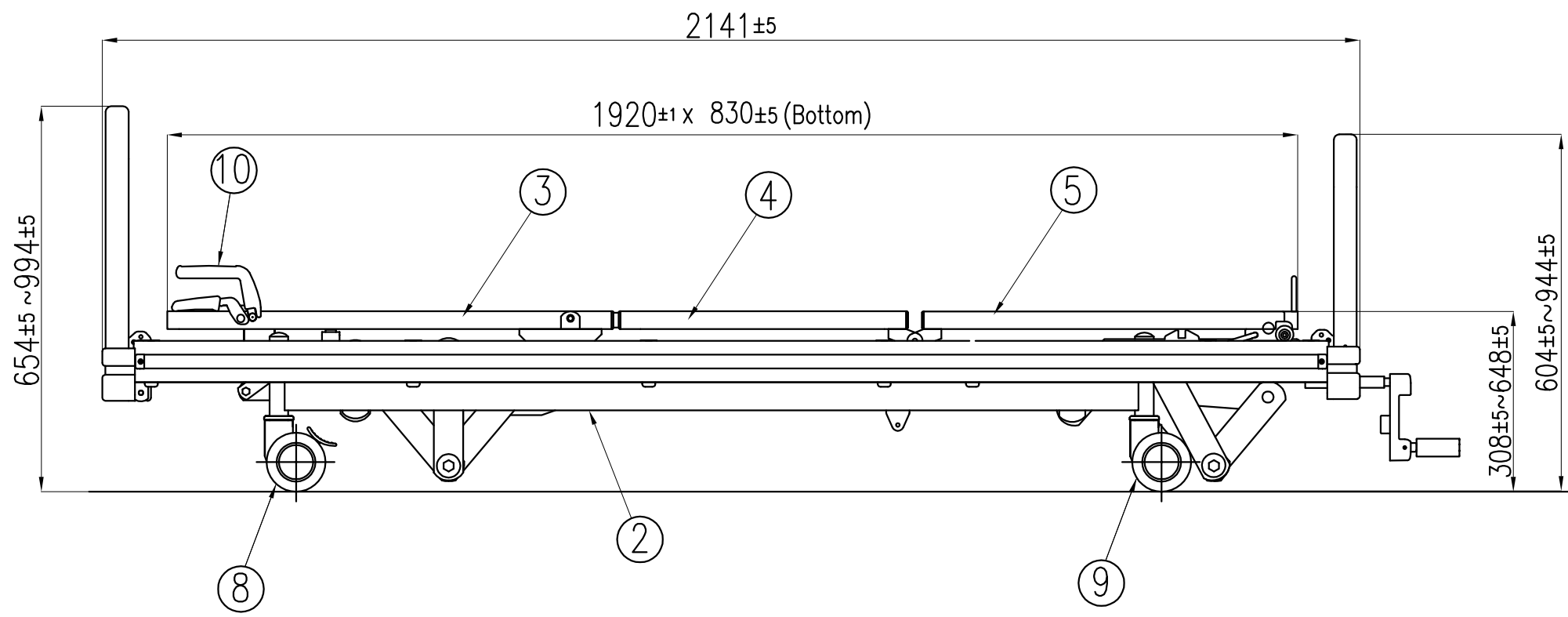
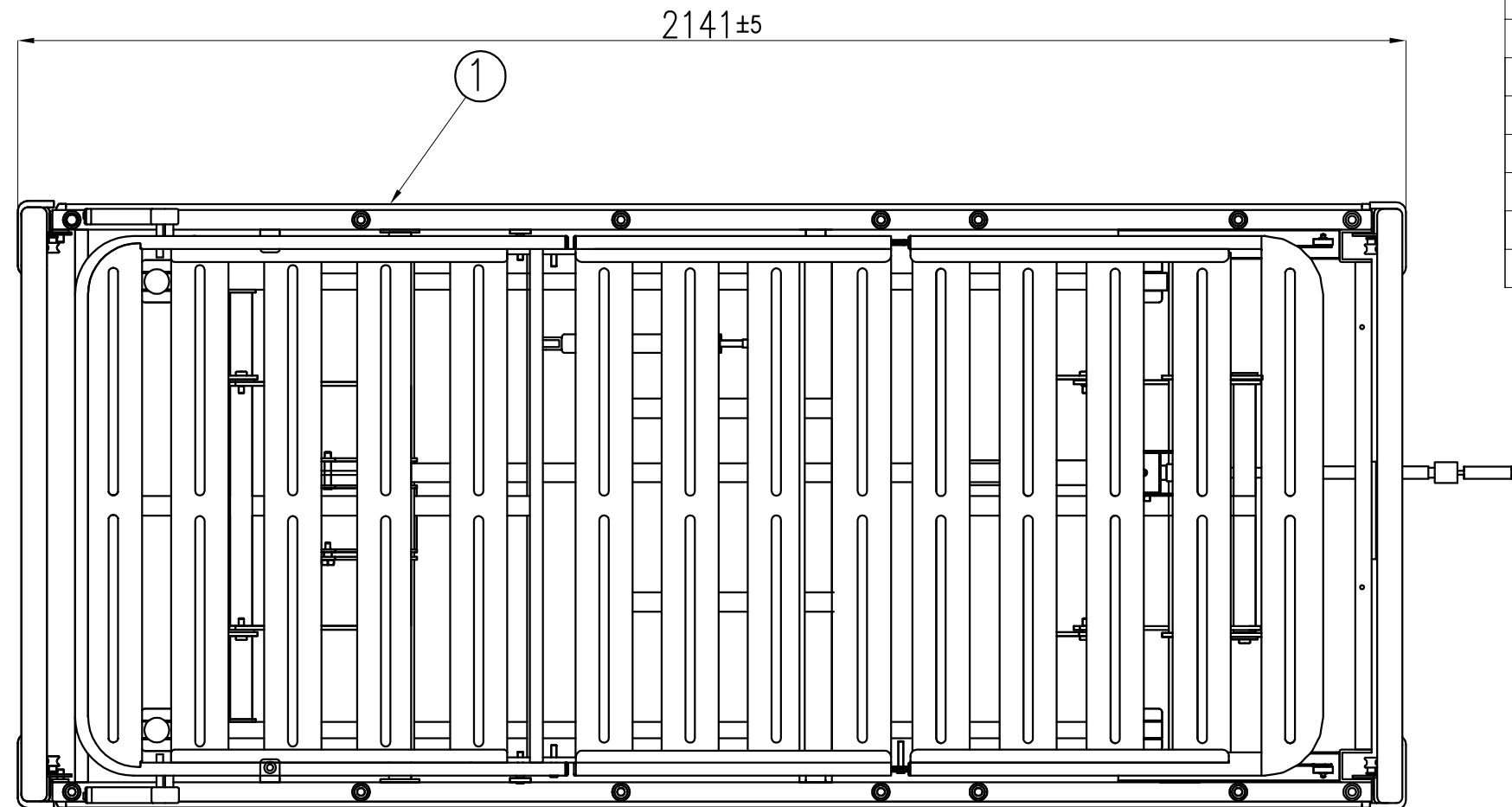
E HEAD + FOOT BOARD PANEL ✓

- BD - 001
Page E 1-1
- BD - 002
Page E 2 -1
- BD - 003
Page E 3 -1

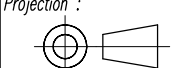
F ACCESSORIES BED ✓

- SIDE RAIL (MB-11,11s,12,Flory) ✓
Page F 1-1
- FSR - 001
Page F 2 -1
- IRRIGATOR BAR (HR-001)
Page F 3 -1
- TABLE BED TB - 001
Page F 4 -1
- TABLE BED TB - 002
Page F 4 -2
- MATTRESS
Page F 5 -1

NO	CODE	COMPONENT	QTY	UNIT	COMPONENT SPESIFICATION
1	J-9110100	Main Frame Compl.	1	Unit	-
2	J-9020200	Lower Frame Compl.	1	Unit	-
3	H-022300B	Bottom (A) Assy	1	Unit	-
4	E-022500	Bottom (B) Assy	1	Unit	-
5	F-021300	Bottom (C) Assy	1	Unit	-
6	J-9010700	Head Board Assy	1	Unit	-
7	J-9010800	Foot Board Assy	1	Unit	-
8	H-0020500A-1	Caster with Brake	2	pcs	∅100mm
9	H-0020500A-2	Caster Free Brake	2	pcs	∅100mm
10	F-021400	Operating System	1	Set	(1 Cylinder, 1 Crank)



NO	DATE	REMARKS	DRAWN	CHECKED	APPROVED	REVISED BY

Standard Application :				Specification :		Finishing :		Unit :		Paper :		Scale :		Projection :		Drawing Name :	
-				-		-		mm		A4		1:X				DIMENSION	
Drawn :		Designed/Customer :		Checked :		Approved :		Status :		Effective Date :		Page :		Product Name :			
-		CIM		M.Rosyidin		Donald KL		PREPARATION DRAWING PRODUCTION DRAWING		XX-XX-XXXX		-		PT.Chitose Indonesia Mfg. Research & Development Dept.		3011 D	
										Plot Date :		06-05-2021					